



CORDLESS GRASS TRIMMER

24-VOLT MAX* | 2.0 Ah | 10 INCH

OPERATOR'S MANUAL

A Division of Snow Joe®, LLC

Model 24V-GT10-LTE

Form No. SJ-24V-GT10-LTE-800E-MR1

IMPORTANT! Safety Instructions

All Operators Must Read These Instructions Before Use

⚠ CAUTION!

Before using this cordless tool, carefully read and observe the safety rules and instructions listed below. Before starting work, make sure that you know how to stop the machine in case of an emergency. The incorrect use of this machine could cause serious injury. Keep these instructions in a safe place and on hand so that they can be consulted when required.

⚠ CAUTION!

The cordless grass trimmer should only be used for cutting lawns. Other uses of the trimmer that are not indicated in these instructions could damage the trimmer or seriously injure the operator.

GENERAL Safety Rules

⚠ **WARNING!** Read all safety warnings and instructions. Failure to follow the warnings and instructions may result in electric shock, fire and/or serious injury.

1. Prevent unintentional starting. Ensure the switch is in the off-position before connecting to battery pack, picking up or carrying the appliance. Carrying the appliance with your finger on the switch or powering an appliance that has the switch on invites accidents.
2. Disconnect the battery pack from the appliance before making any adjustments, changing accessories, or storing appliance. Such preventive safety measures reduce the risk of starting the appliance accidentally.
3. Recharge only with the charger specified by the manufacturer. A charger that is suitable for one type of battery pack may create a risk of fire when used with another battery pack.
4. Use appliances only with specifically designated battery packs. Use of any other battery packs may create a risk of injury and fire.
5. When battery pack is not in use, keep it away from other metal objects, like paper clips, coins, keys, nails, screws or other small metal objects, that can make a connection

from one terminal to another. Shorting the battery terminals together may cause burns or a fire.

6. Under abusive conditions, liquid may be ejected from the battery; avoid contact. If contact accidentally occurs, flush with water. If liquid contacts eyes, additionally seek medical help. Liquid ejected from the battery may cause irritation or burns.
7. Do not use a battery pack or appliance that is damaged or modified. Damaged or modified batteries may exhibit unpredictable behavior resulting in fire, explosion or risk of injury.
8. Do not expose a battery pack or appliance to fire or excessive temperature. Exposure to fire or temperature above 265°F (130°C) may cause explosion.
9. Follow all charging instructions and do not charge the battery pack or appliance outside of the temperature range specified in the instructions. Charging improperly or at temperatures outside of the specified range may damage the battery and increase the risk of fire.
10. Have servicing performed by a qualified repair person using only identical replacement parts. This will ensure that the safety of the product is maintained.
11. Do not modify or attempt to repair the appliance or the battery pack (as applicable) except as indicated in the instructions for use and care.
12. **Replacement parts** – When servicing, use only identical replacement parts.
13. **Avoid dangerous environments** – Do not use appliances in damp or wet locations. Do not use in rain.
14. **Keep children and bystanders away** – Children and other spectators, including pets, should be kept at least 50 feet (15 meters) away from the work area. When the grass is cut, stones and debris contained in the grass can be picked up by the blade and dispersed into the air. These flying projectiles can cause blindness or other bodily injury.
15. **Dress properly** – Always wear suitable clothing when using the trimmer to prevent head, hand, or feet injuries. Do not wear loose clothing or jewelry. They can get caught in moving parts. Use of rubber gloves and substantial footwear is recommended when working outdoors. Wear protective hair covering to contain long hair.
16. **Use safety glasses** – Also use safety footwear, snug-fitting clothing, protective gloves, hearing and head protection. Always use face or dust mask if operation is dusty.

17. **Use the right tools** – Do not use tools for any job except that for which they are intended.
18. **Avoid unintentional starting** – Don't insert battery pack in appliance with finger on switch. Be sure switch is off when insert battery pack.
19. **Disconnect appliance** – Disconnect the appliance from the battery pack when not in use, before servicing, when changing accessories.
20. **Do not force the tool** – It will do the job better and with less likelihood of injury if it is used at the rate for which it was designed.
21. **Do not overreach** – Keep proper footing and balance at all times.
22. **Stay alert** – Watch what you are doing. Use common sense. Do not operate the trimmer when you are tired, or under the influence of alcohol or drugs.
23. **Store idle tools indoors** – When not in use, tools should be stored indoors in a dry and high or locked-up place out of the reach of children.
24. **Maintain tools with care** – Follow instructions for lubricating and changing accessories. Inspect the trimmer periodically and replace if damaged. Repair the trimmer only at an authorized service facility. Keep handles dry, clean, and free from oil and grease.
25. **Checked for damaged parts** – Before continuing to use the trimmer, a guard or other part that is damaged should be carefully checked to determine that it will operate properly and perform its intended function. Check for the alignment of moving parts, binding of moving parts, breakage of parts, mounting, and any other condition that may affect the trimmer's operation. A guard or other part that is damaged should be properly repaired or replaced by an authorized service center unless indicated elsewhere in this manual.

- Do not try to stop the trimmer blade with your hands. Always let it come to a stop by itself.

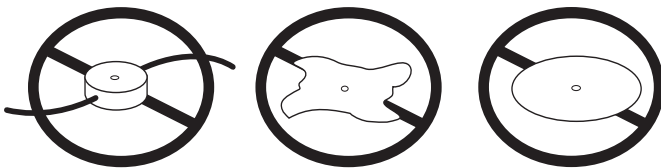
⚠ WARNING! After switching off the tool, the cutting blade continues to rotate for a few seconds.

- Only use the original type of nylon grass blades. Do not under any circumstances use metal line or nylon line instead of the blade.
- Do not use the tool to cut grass which is not on the ground. For example, do not cut grass growing on walls or rocks.
- Do not switch on the tool in an enclosed or poorly ventilated space or in the presence of flammable and/or explosive substances such as liquids, gases and powders.
- Only cut during broad daylight or with adequate artificial light.
- Check that all grass cuttings and dirt have been removed from the ventilation vents.
- Do not cross roads or gravel paths while the tool is still running.
- When the tool is not in use, store it in a dry place and out of reach of children.
- After use, remove the battery and check for damage. If you have any doubt about the condition of the tool, contact an authorized service center or call the Snow Joe® + Sun Joe® customer service center at 1-866-SNOWJOE (1-866-766-9563).
- Only use the tool according to the instructions given in this manual.
- Check regularly that the screws are tight.
- Do not try to repair the tool or access internal parts. Contact an authorized service center or call the Snow Joe® + Sun Joe® customer service center at 1-866-SNOWJOE (1-866-766-9563).

ADDITIONAL SAFETY INSTRUCTIONS FOR GRASS TRIMMER

1. Keep guards in place and in working order.
2. Keep hands and feet away from the cutting area.

⚠ WARNING! Never use steel blades or other devices. Use of any other accessories or attachments will increase the risk of injury.



⚠ CAUTION! The safety guard is critical to the safety of the operator and the safety of people standing within a safe distance of the trimmer. The safety guard keeps the trimmer in good working order and must always be in place during operation.

Battery + Charger Safety Instructions

We pay a great deal of attention to the design of every battery pack to ensure that we supply you with batteries that are safe, durable and have a high energy density. The battery cells have a wide range of safety devices. Each individual cell is initially formatted and its electrical characteristic curves are recorded. This data is then used exclusively to be able to assemble the best possible battery packs.

Despite all the safety precautions, caution must always be exercised when handling batteries. The following points must be obeyed at all times to ensure safe use. Safe use can only be guaranteed if undamaged cells are used. Incorrect handling of the battery pack can cause cell damage.

IMPORTANT! Analyses confirm that incorrect use and poor care of high-performance batteries are the main factors responsible for personal and/or product damage.

⚠️ WARNING! Use only approved replacement batteries; other batteries may damage the cordless trimmer and cause it to malfunction, which can lead to serious personal injury.

⚠️ WARNING! Do not use a battery pack or appliance that is damaged or modified. Damaged or modified batteries may exhibit unpredictable behavior resulting in fire, explosion or risk of injury.

Do not modify or attempt to repair the battery pack except as indicated in the instructions for use and care.

Have your battery pack serviced by a qualified repair person using only identical replacement parts. This will ensure that the safety of the battery pack is maintained.

⚠️ CAUTION! To reduce the risk of injury, charge the Snow Joe® iON+ 24V lithium-ion battery pack only in its designated Snow Joe® iON+ 24V lithium-ion charger. Other types of chargers present risk of fire, personal injury and damage. Do not wire a battery pack to a power supply plug or car cigarette lighter. Such misuse will permanently disable or damage the battery pack.

- **Avoid dangerous environments** – Do not charge the battery pack in rain, snow or in damp or wet locations. Do not use the battery pack or charger in the presence of explosive atmospheres (gaseous fumes, dust or flammable materials) because sparks may be generated when inserting or removing the battery pack, which could lead to a fire.
- **Charge in a well-ventilated area** – Do not block the charger vents. Keep them clear to allow for proper ventilation. Do not allow smoking or open flames near a charging battery pack. Vented gases may explode.
NOTE: The safe temperature range for the battery is 41°F – 105°F (5°C – 40.5°C). Do not charge the battery outside in freezing weather; charge it at room temperature.
- **Maintain charger cord** – When unplugging the charger, pull the plug, not the cord, from the receptacle to reduce the risk of damage to the electrical plug and cord. Never carry the charger by its cord or yank it by the cord to disconnect it from the receptacle. Keep the cord away from heat, oil and sharp edges. Make sure the cord will not be stepped on, tripped over or subjected to damage or stress when the charger is in use. Do not use the charger with a damaged cord or plug. Replace a damaged charger immediately.
- **Do not use an extension cord unless it is absolutely necessary** – Using the wrong, damaged or improperly wired extension cord poses a risk of fire and electric shock. If an extension cord must be used, plug the charger into a properly wired 16 gauge or larger extension cord with the female plug matching the male plug on the charger. Make sure that the extension cord is in good electrical condition.
- **Charger 24VCHRG-AC is rated for 100 – 240 volt AC only** – The charger must be plugged into an appropriate receptacle.

- **Use only recommended attachments** – Use of an attachment not recommended or sold by the battery charger or battery pack manufacturer may result in risk of fire, electric shock or personal injury.

- **Unplug charger when not in use** – Make sure to remove the battery pack from unplugged chargers.

⚠️ WARNING! To reduce the risk of electric shock, always unplug the charger before performing any cleaning or maintenance. Do not allow water to flow into the charger. Use a Ground Fault Circuit Interrupter (GFCI) to reduce shock hazards.

- **Do not burn or incinerate battery packs** – Battery packs may explode, causing personal injury or damage. Toxic fumes and materials are created when battery packs are burned.
- **Do not crush, drop or damage battery packs** – Do not use the battery pack or charger if they have sustained a sharp blow, been dropped, run over or have been damaged in any way (i.e. pierced with a nail, hit with a hammer, stepped on, etc.).
- **Do not disassemble** – Incorrect reassembly may pose a serious risk of electric shock, fire or exposure to toxic battery chemicals. If the battery or charger are damaged, contact an authorized Snow Joe® + Sun Joe® dealer or call the Snow Joe® + Sun Joe® customer service center at 1-866-SNOWJOE (1-866-766-9563) for assistance.
- **Battery chemicals cause serious burns** – Never let a damaged battery pack contact the skin, eyes or mouth. If a damaged battery pack leaks battery chemicals, use rubber or neoprene gloves to safely dispose of it. If skin is exposed to battery fluids, wash the affected area with soap and water and rinse with vinegar. If eyes are exposed to battery chemicals, immediately flush with water for 20 minutes and seek medical attention. Remove and dispose of contaminated clothing.
- **Do not short circuit** – A battery pack will short circuit if a metal object makes a connection between the positive and negative contacts on the battery pack. Do not place a battery pack near anything that may cause a short circuit, such as paper clips, coins, keys, screws, nails and other metallic objects. A short-circuited battery pack poses a risk of fire and severe personal injury.
- **Store your battery pack and charger in a cool, dry place** – Do not store the battery pack or charger where temperatures may exceed 105°F (40.5°C), such as in direct sunlight or inside a vehicle or metal building during the summer.

Information about the battery

1. The battery pack supplied with your cordless trimmer is only partially charged. The battery pack has to be charged completely before you use the tool for the first time.
2. For optimum battery performance, avoid low discharge cycles by charging the battery pack frequently.
3. Store the battery pack in a cool place, ideally at 77°F (25°C) and charged to at least 40%.
4. Lithium-ion batteries are subject to a natural aging process. The battery pack must be replaced at the latest when its capacity falls to just 80% of its capacity when new. Weakened cells in an aged battery pack are no longer capable of meeting the high power requirements needed for the proper operation of your trimmer and therefore pose a safety risk.
5. Do not throw battery packs into an open fire as this poses a risk of explosion.
6. Do not ignite the battery pack or expose it to fire.
7. Do not exhaustively discharge batteries. Exhaustive discharge will damage the battery cells. The most common cause of exhaustive discharge is lengthy storage or non-use of partially discharged batteries. Stop working as soon as the performance of the battery falls noticeably or the electronic protection system triggers. Place the battery pack in storage only after it has been fully charged.
8. Protect the battery and the tool from overloads. Overloads will quickly result in overheating and cell damage inside the battery housing even if this overheating is not apparent externally.
9. Avoid damage and shocks. Immediately replace batteries that have been dropped from a height of more than one meter or those that have been exposed to violent shocks, even if the housing of the battery pack appears to be undamaged. The battery cells inside the battery may have suffered serious damage. In such instances, please read the waste disposal information for proper battery disposal.
10. If the battery pack suffers overloading and overheating, the integrated protective cutoff will switch off the equipment for safety reasons.

IMPORTANT! Do not press the ON/OFF switch any more if the protective cut-off has been activated. This may damage the battery pack.

11. Use only original battery packs. The use of other batteries poses a fire risk and may result in injuries or an explosion.

Information about the charger and the charging process












1. Please check the data marked on the rating plate of the battery charger. Be sure to connect the battery charger to a power supply with the voltage marked on the rating plate. Never connect it to a different mains voltage.
2. Protect the battery charger and its cord from damage. Keep the charger and its cord away from heat, oil and sharp edges. Have damaged cords repaired without delay by a qualified technician at an authorized Snow Joe® + Sun Joe® dealer or call the Snow Joe® + Sun Joe® customer service center at 1-866-SNOWJOE (1-866-766-9563).
3. Electrical plugs must match the outlet. Never modify the plug in any way. Do not use any adapter plugs with grounded appliances. Unmodified plugs and matching outlets will reduce the risk of electric shock.
4. Keep the battery charger, battery pack and the cordless tool out of the reach of children.
5. Do not use the supplied battery charger to charge other cordless tools.
6. During periods of heavy use, the battery pack will become warm. Allow the battery pack to cool to room temperature before connecting it with the charger to recharge.
7. Do not overcharge batteries. Do not exceed the maximum charging times. These charging times only apply to discharged batteries. Frequent insertion of a charged or partially charged battery pack will result in overcharging and cell damage. Do not leave the battery connected with the charger for days on end.
8. Never use or charge batteries if you suspect that it has been more than 12 months since the last time they were charged. There is a high probability that the battery pack has already suffered dangerous damage (exhaustive discharge).
9. Charging batteries at a temperature below 41°F (5°C) will cause chemical damage to the cells and may cause a fire.
10. Do not use batteries that have been exposed to heat during the charging process, as the battery cells may have suffered dangerous damage.
11. Do not use batteries that have suffered curvature or deformation during the charging process or those that exhibit other atypical symptoms (gassing, hissing, cracking, etc.).
12. Never fully discharge the battery pack (maximum recommended depth of discharge is 80%). A complete discharge of the battery pack will lead to premature aging of the battery cells.

Protection from environmental influences

1. Wear suitable work clothes. Wear safety goggles.
2. Protect your cordless tool and the battery charger from moisture and rain. Moisture and rain can cause dangerous cell damage.
3. Do not use the cordless tool or the battery charger near vapors and flammable liquids.
4. Use the battery charger and cordless tools only in dry conditions and at an ambient temperature of 41°F – 105°F (5°C – 40.5°C).
5. Do not keep the battery charger in places where the temperature is liable to reach over 105°F (40.5°C). In particular, do not leave the battery charger in a car that is parked in the sunshine.
6. Protect batteries from overheating. Overloads, overcharging and exposure to direct sunlight will result in overheating and cell damage. Never charge or work with batteries that have been overheated – replace them immediately, if possible.
7. Store the charger and your cordless tool only in dry locations with an ambient temperature of 41°F – 105°F (5°C – 40.5°C). Store your lithium-ion battery pack in a cool, dry place at a temperature of 77°F (25°C). Protect the battery pack, charger and cordless tool from humidity and direct sunlight. Only place fully charged batteries in storage (charged to at least 40%).
8. Prevent the lithium-ion battery pack from freezing. Battery packs that were stored below 32°F (0°C) for more than 60 minutes must be discarded.
9. When handling batteries, be wary of electrostatic charge. Electrostatic discharges can damage the electronic protection system and the battery cells. Avoid electrostatic charging and never touch the battery poles.

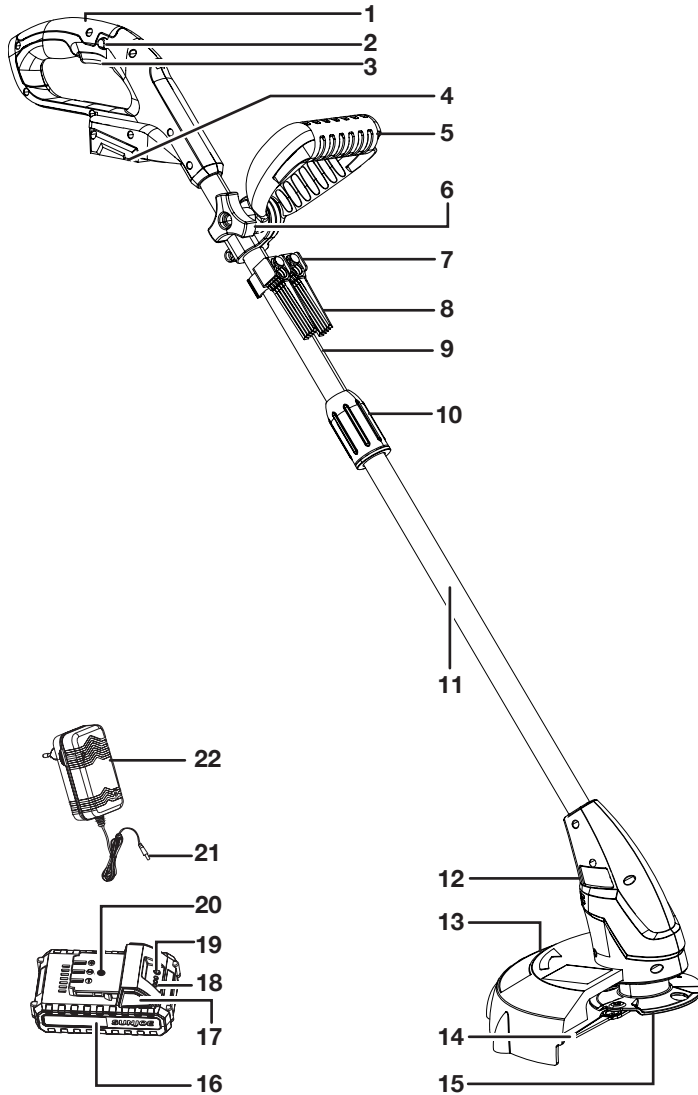
Safety Symbols

The following table depicts and describes safety symbols that may appear on this product. Read, understand, and follow all instructions on the machine before attempting to assemble and operate.

Symbols	Descriptions	Symbols	Descriptions
	READ THE OPERATOR'S MANUAL(S) – Read, understand, and follow all instructions in the user manual(s) before attempting to assemble and operate.		Keep bystanders and children a safe distance away.
	SAFETY ALERT – Indicates a precaution, a warning, or a danger.		WARNING! Do not expose the unit to rain or wet conditions.
	WEAR EYE AND HEARING PROTECTION – For protection against injury, wear ear defenders and safety goggles.		Beware of flying objects and debris.
	Wear safety gloves during use to protect hands.		Wear non-slip footwear that will protect your feet and improve your footing on slippery surfaces.
	Indoor use only. Only use battery charger indoors.		Disconnect the battery pack before any repair or maintenance.
	DANGER! Beware of thrown objects to bystanders. Keep bystanders at least 15 m (50 ft) away from the machine.		

Know Your Cordless Grass Trimmer

Read the owner's manual and safety instructions carefully before operating the cordless grass trimmer. Compare the illustration below to the cordless trimmer in order to familiarize yourself with the location of the various controls and adjustments. Save this manual for future reference.



- 1. Handle
- 2. Safety lock button
- 3. On/Off switch
- 4. Battery compartment
- 5. Auxiliary handle
- 6. Auxiliary handle knob
- 7. Grass blade onboard storage
- 8. Replacement grass blades (10)
- 9. Upper pole
- 10. Pole collar
- 11. Lower pole
- 12. Motor housing
- 13. Safety guard
- 14. Grass blade (1)
- 15. Blade hub
- 16. iON+ 24V lithium-ion battery (24VBAT-LTE) featuring exclusive EcoSharp® technology
- 17. Push lock button
- 18. Battery indicators
- 19. Push button for battery indicator
- 20. Charge socket
- 21. Charger plug
- 22. iON+ 24V lithium-ion charger (24VCHRG-AC)

Technical Data

Motor	550 W	Charger Output	25.2V D.C. $\overline{\text{---}}$ 1400 mA
Battery Voltage Max*	24V D.C.	Charge Time Max	1 hr 20 min
Battery Capacity	2.0 Ah	Cutting Diameter	10 inch (25.4 cm)
Battery Runtime Max	50 min (trims up to 860 sq ft of grass)	Rotor	PA66 nylon grass blade (total of 11 blades included)
Charger Input	100 – 240V AC, 50 – 60 Hz, 50 W	Net weight	3.3 lbs (1.5 kg)

*Initial no-load voltage, when fully charged, peaks at 24 volts; nominal voltage under typical load is 21.6 volts.

Unpacking

Carton Contents

- Grass trimmer lower pole assembly
- Grass trimmer upper pole assembly (with 10 replacement grass blades + onboard storage assembled)
- Safety guard
- Safety guard screw
- iON+ 24V lithium-ion battery
- iON+ 24V lithium-ion battery charger
- Manuals with registration card

1. Carefully remove the cordless grass trimmer and check to see that all of the above items are supplied.
2. Inspect the product carefully to make sure no breakage or damage occurred during shipping. If you find damaged or missing parts, DO NOT return the unit to the store. Please call the Snow Joe® + Sun Joe® customer service center at 1-866-SNOWJOE (1-866-766-9563).

NOTE: Do not discard the shipping carton and packaging material until you are ready to use the cordless grass trimmer. The packaging is made of recyclable materials. Properly dispose of these materials in accordance with local regulations or save the packaging for long-term product storage.

IMPORTANT! The equipment and packaging material are not toys. Do not let children play with plastic bags, foils, or small parts. These items can be swallowed and pose a suffocation risk!

Battery Pack Operation





The equipment is powered by a lithium-ion battery. The battery pack is completely sealed and maintenance free.

⚠️ WARNING! Before first use, the battery requires at least 1 hr 20 min charge time to be fully charged. When the battery is at low capacity, recharge for 1 hr 20 min again before resuming operation.

Battery Charge Level Indicator

The battery pack is equipped with a push button for checking the charge level. Simply press the push button to read off the battery charge level from the LEDs of the battery indicator:

- All 3 level monitoring LEDs are lit: Battery charge level is high.
- 2 level monitoring LEDs are lit: Battery charge level is decreasing. Stop work as soon as possible.
- 1 level monitoring LED is lit: Battery is flat. Stop work IMMEDIATELY and charge the battery. Otherwise the battery's service life will be greatly shortened.

Lights	Light Indicators
	Charge level button
	The battery is at 30% capacity and requires charging
	The battery is at 60% capacity and requires charging soon
	The battery is at full capacity

NOTE: If the charge level button does not appear to be working, connect the battery with the charger and charge as needed.

NOTE: Immediately after using the battery pack, the charge level button may display a lower charge than it will if checked a few minutes later. The battery cells "recover" some of their charge after resting.

Charger Operation

⚠️ WARNING! Charge only iON+ 24V lithium-ion battery packs with its compatible iON+ 24V lithium-ion charger. Other types of batteries may cause personal injury and damage.

To reduce the risk of electric shock, do not allow water to flow into the charger's AC/DC plug.

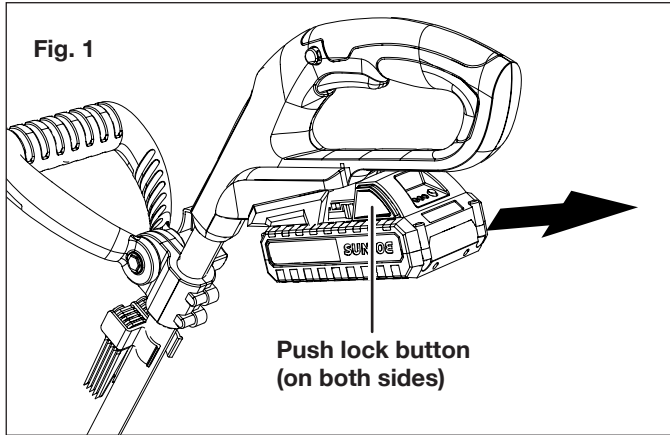
When to Charge the iON+ 24VBAT-LTE Lithium-Ion Battery

NOTE: The iON+ 24VBAT-LTE lithium-ion battery packs do not develop a "memory" when charged after only a partial discharge. Therefore, it is not necessary to run down the battery pack before placing it into the charger.

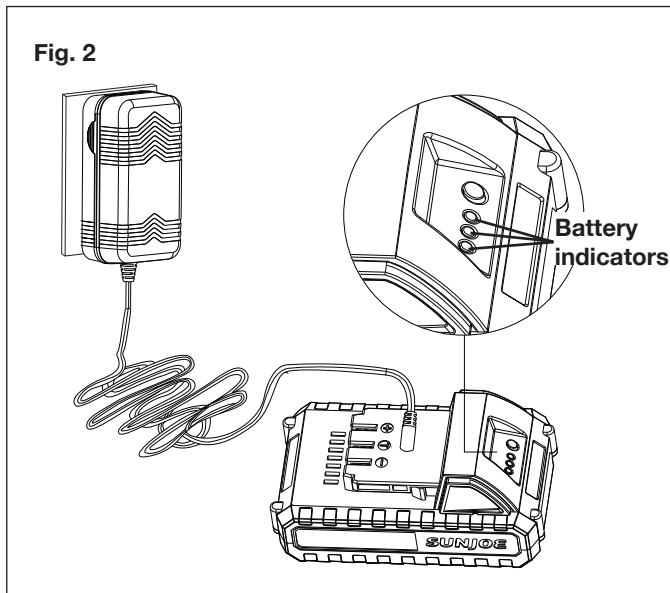
- Use the battery charge indicator lights to determine when to charge your iON+ 24VBAT-LTE lithium-ion battery pack.
- You can "top-off" your battery pack's charge before starting a big job or after a long day of use.

Charging the Battery

1. Press the push lock buttons on the battery to pull the battery pack out of the equipment (Fig. 1).



2. Check that the mains voltage is the same as that marked on the rating plate of the battery charger. Then, plug the charger adapter into an appropriate AC power outlet. Connect the charger plug into the charge socket of the battery to start charging (Fig. 2).



3. The battery will take approximately 1 hr 20 min to charge. The battery indicator LEDs will twinkle and illuminate one by one during the charging process. Unplug the charger immediately when the 3 LEDs are all illuminated.

⚠ CAUTION! FIRE HAZARD. When disconnecting the charger from the battery, be sure to unplug the charger from the outlet first, then disconnect the charger from the battery.

⚠ WARNING! This charger does not automatically turn off when the battery is fully charged. Please take care not to leave the battery plugged into the charger. Switch off or unplug the charger at the mains when charging is complete.

4. Timely recharging of the battery will help prolong the battery's life. You must recharge the battery pack when you notice a drop in the equipment's power.

IMPORTANT! Never allow the battery pack to become fully discharged as this will cause irreversible damage to the battery.

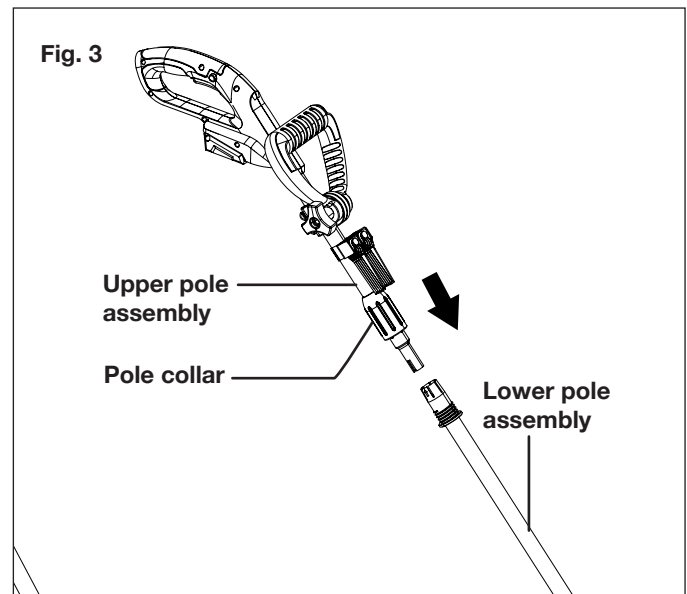
Assembly

Before using the cordless grass trimmer, follow these instructions to assemble.

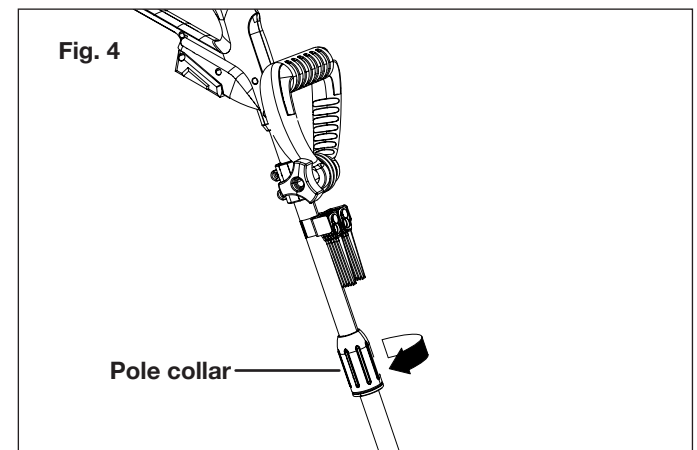
⚠ WARNING! Do not insert the battery until assembly is complete. Failure to comply could result in accidental starting and possible serious personal injury.

Connect the Poles

1. Connect the poles by inserting the upper pole assembly into the lower pole assembly (Fig. 3).



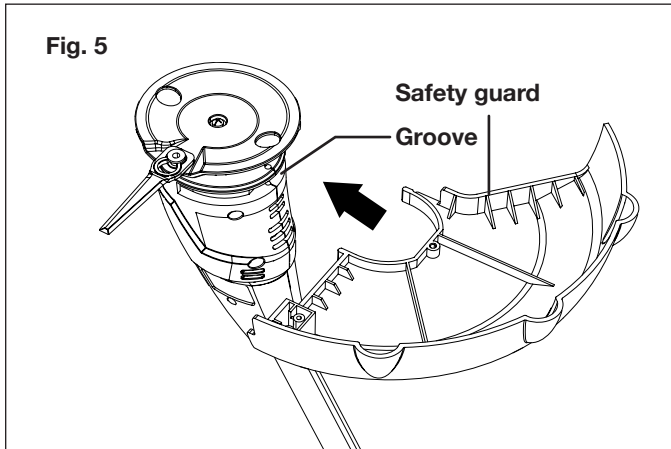
2. Screw the pole collar on the thread to secure the poles (Fig. 4).



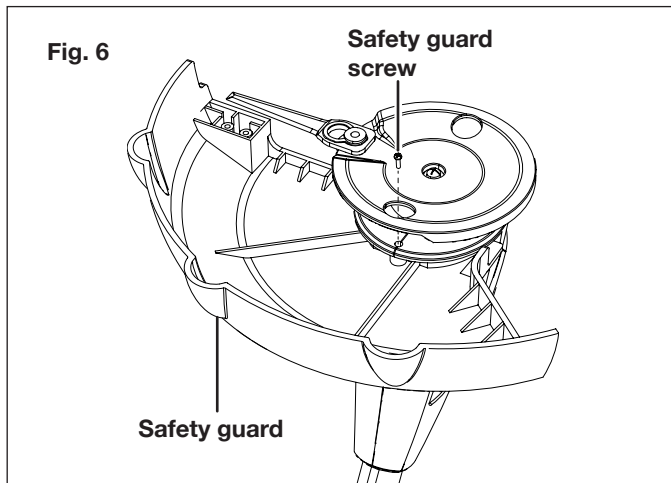
Fitting the Safety Guard

⚠️ WARNING! The safety guard must be properly installed. The safety guard provides partial protection from the risk of thrown objects to the operator and other bystanders.

1. Fit the safety guard in the groove on the motor housing, as shown (Fig. 5).



2. Hold the blade hub in place, use the safety guard screw to fix the safety guard in place, as shown (Fig. 6).



Operation

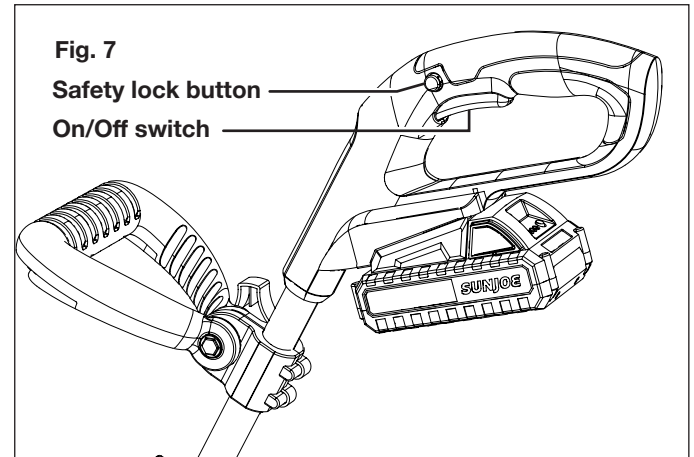
The cordless grass trimmer is designed to cut grass and weeds under bushes, and on slopes that cannot be reached with the lawn mower. The trimmer must be used outdoors only, at an ambient temperature between 41°F (5°C) and 113°F (45°C).

⚠️ WARNING! Remove stones, small sticks and other objects from the cutting area. The nylon blade will continue to rotate for a few seconds after the trimmer is switched off. Let the motor come to a complete stop before switching the trimmer back on. Do not rapidly switch the trimmer off and on.

⚠️ WARNING! Rocks or debris may ricochet or be thrown into eyes and face, cause blindness, or other serious injury. Never lean over the trimmer head and always wear eye protection.

ON/OFF Switch

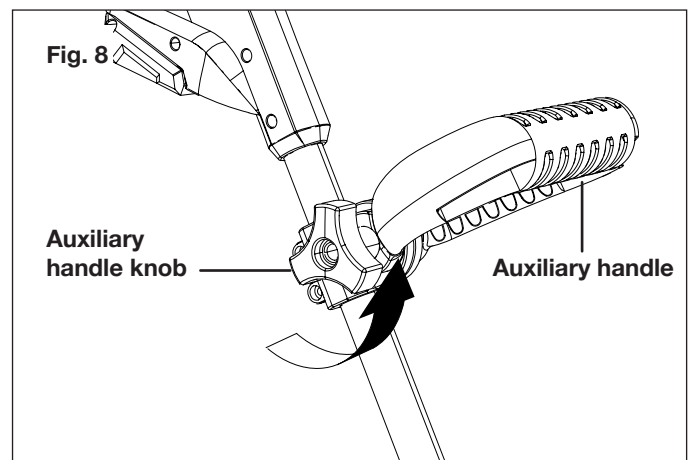
1. Insert the battery into the battery compartment on the back of the machine. Press until it clicks into position. Press and hold the safety lock button, then squeeze the ON/OFF switch. When the machine runs steadily, release the safety lock button (Fig. 7).



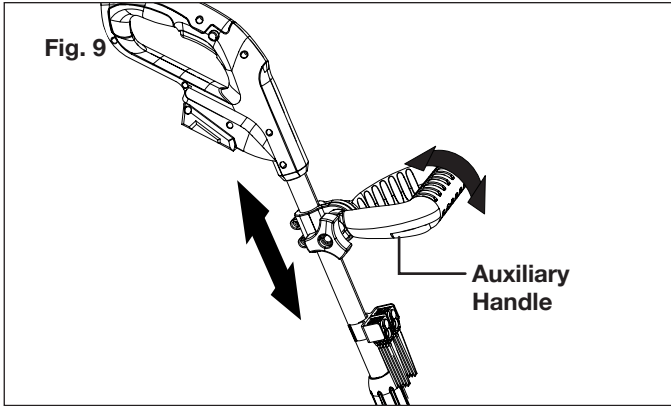
2. To switch OFF, release the ON/OFF switch (Fig. 7). Remove the battery.

Adjusting the Auxiliary Handle

1. Switch off the machine and remove the battery. Wait until the blade comes to a complete stop.
2. Rotate the auxiliary handle knob counterclockwise to loosen the auxiliary handle (Fig. 8).

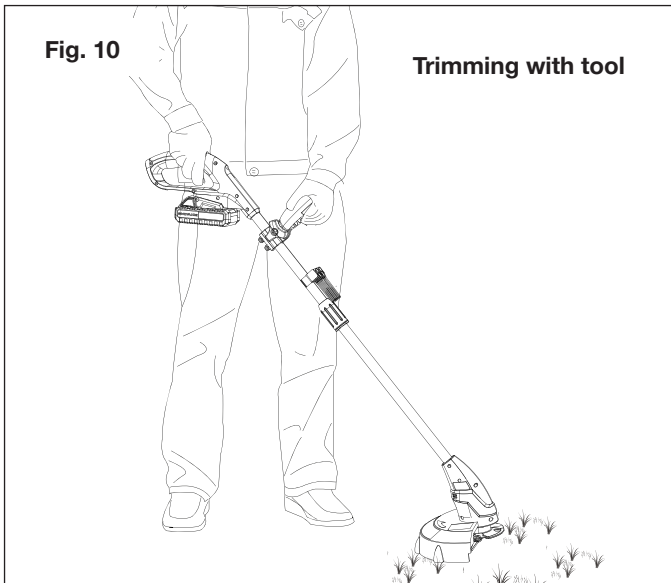


3. Adjust the position of the auxiliary handle as needed by sliding it along the upper pole (Fig. 9).
4. Adjust the angle of the auxiliary handle as needed by pivoting it as shown (Fig. 9).



5. Lock the auxiliary handle by rotating the knob clockwise.

Trimming



⚠ WARNING! Always hold the grass trimmer away from the body, keeping at least two feet of clearance between any body part and the bladed trimmer accessory head. Any contact with the trimmer blade while operating can result in serious personal injury (Fig. 10).

⚠ WARNING! To avoid damaging the blade or blade hub, allow at least 1 foot of clearance between the blade and any nearby objects. Never use the trimmer near sidewalks, fencing, posts, siding, buildings, or other immovable objects. Damaged blade can cause serious personal injury.

- Inspect the blade before each use and periodically during long periods of use. If the blade is bent, warped, cracked, chipped, or damaged, discontinue use immediately and replace the blade.
- Inspect and clear the area of any hidden objects such as glass, rocks, concrete, fencing, wire, wood, metal, etc., which can be thrown by the machine.

- Maintain a firm grip on trimmer handles while cutting. Keep the blade away from body and below waist level.
- After releasing the On/Off switch, use thicker weeds or pulpy stalks to slow the blade down if necessary, until it stops. Maintain proper control until the blade has completely stopped rotating.
- Do not attempt to touch or stop moving blade.

Maintenance

⚠ WARNING! Before performing any maintenance task, turn off the machine and remove the battery.

⚠ WARNING! Always wear protective gloves during maintenance tasks. Do not carry out maintenance when the engine is running or hot.

- Regular cleaning and maintenance of your grass trimmer will ensure efficiency and prolong the life of your machine.
- After each cutting operation, take apart and clean out the grass and soil from the whole trimmer and guard.
- During operation, keep the air vents clean and free from grass.
- Only use a cloth soaked with hot water and a soft brush to clean the grass trimmer.
- Do not spray or wet the appliance with water.
- Do not use detergents or solvents as these could ruin the trimmer. The plastic parts can easily be damaged by chemical agents.
- For repairs which have not been explained in these instructions, contact an authorized service center at 1-866-SNOWJOE (1-866-766-9563).

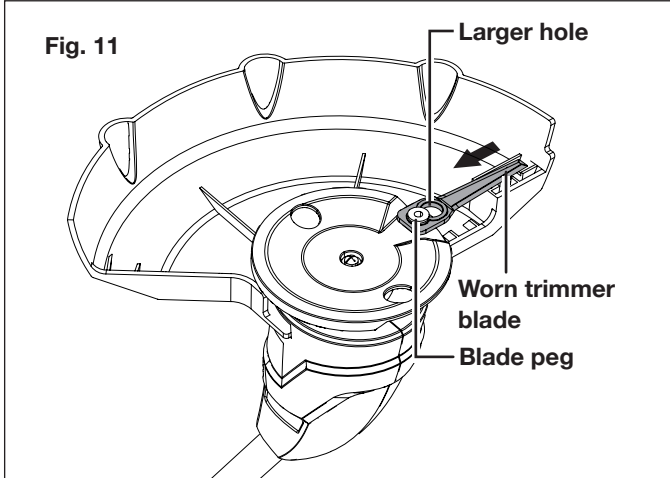
IMPORTANT! Repairs, maintenance, and adjustments to this power tool should be performed only by a qualified repair person using only identical replacement parts. This will ensure that the safety of the product is maintained. Contact your authorized Snow Joe® + Sun Joe® dealer or call the Snow Joe® + Sun Joe® customer service center at 1-866-SNOWJOE (1-866-766-9563) for assistance.

Replacing the Trimmer Blade

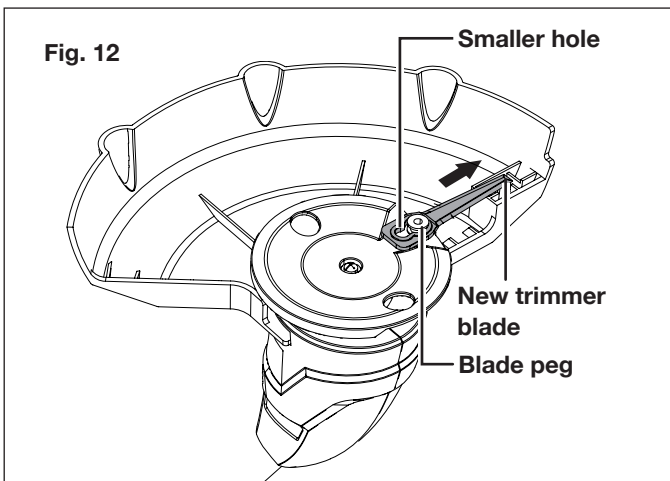
NOTE: The trimmer blade may wear out over time with extended use. Replace the worn blade immediately with the provided replacement blades. Do not use other materials such as steel blades, wire, string, rope, etc as they can break off during cutting and become a dangerous missile causing serious injury.

Additional replacement blades (Model GT10-GBLD-20PK) are also available at sunjoe.com for purchase.

1. Stop the unit and remove the battery from the battery compartment before changing the trimmer blade.
2. To remove the worn blade, first move the blade inward as shown until the blade peg is in the larger hole of the blade. Then the blade should be able to be detached from the machine easily (Fig. 11).



3. Fit the blade peg in to the larger hole of the new blade, and pull the new blade outward until the peg is locked in the smaller hole of the new blade (Fig. 12).



Proper Care for Battery + Charger

⚠️ WARNING! To reduce the risk of injury, always unplug the charger and disconnect the battery pack from the charger before performing any maintenance task. Never disassemble the battery pack or charger. Contact your Snow Joe® + Sun Joe® dealer or the Snow Joe® + Sun Joe® customer service center for ALL repairs.

1. To reduce the risk of injury and damage, never immerse your battery pack or charger in liquid or allow any liquid to flow inside these components.
2. Clean out dust and debris from charger vents and electrical contacts by blowing with compressed air.

3. Use only a soft, clean and dry brush to clean the battery pack and charger, keeping away from all electrical contacts. Certain cleaning agents and solvents are harmful to plastics and other insulated parts. Some of these include gasoline, turpentine, lacquer thinner, paint thinner, chlorinated cleaning solvents, ammonia and household detergents containing ammonia. Never use flammable or combustible solvents around battery packs, battery chargers or tools.
4. The iON+ 24VCHRG-AC lithium-ion battery charger has no serviceable parts.

Storage

Follow these recommendations for storing the grass trimmer.

- Clean the grass trimmer thoroughly before storing.
- Store the trimmer in a stable and safe location out of the reach of children. Keep the trimmer in a dry place where the temperature is not too hot or too cold.
- Do not store the grass trimmer resting against the floor. Hang it by the upper handgrip so that the guard does not touch anything. If the guard rests against a surface, its shape and dimensions could be permanently altered, and could render the machine unsafe to use.

Battery + Charger Off-Season Storage

1. Do not expose your battery pack or charger to water, rain or allow them to get wet. This could permanently damage the charger and the battery pack. Do not use oil or solvents to clean or lubricate your battery pack as the plastic casing can become brittle and crack, causing a serious risk of injury.
2. Store the battery pack and charger at room temperature away from moisture. Do not store in damp locations where corrosion of terminals may occur. As with other battery pack types, permanent capacity loss can result if the pack is stored for long periods of time at high temperatures (over 120°F/49°C).
3. iON+ 24VBAT-LTE lithium-ion battery packs maintain their charge during storage longer than other battery pack types. As a general practice, it is best to unplug the battery charger and disconnect the battery pack when they are not in use. Recharge the battery pack every 6 months to 50% capacity (2 lights on) during off-season storage to maintain optimal battery performance.

Battery Caution + Disposal

Always dispose of your battery pack according to federal, state, and local regulations. Contact a recycling agency in your area for recycling locations.

⚠️ CAUTION! Even discharged battery packs contain some energy. Before disposing, use electrical tape to cover the terminals to prevent the battery pack from shorting, which could cause a fire or explosion.

⚠️WARNING! To reduce the risk of injury or explosion, never burn or incinerate a battery pack even if it is damaged, dead or completely discharged. When burned, toxic fumes and materials are emitted into the surrounding atmosphere.

1. Batteries vary according to device. Consult your manual for specific information.
2. Install only new batteries of the same type in your product (where applicable).
3. Failure to insert batteries in the correct polarity, as indicated in the battery compartment or manual, may shorten the life of the batteries or cause batteries to leak.
4. Do not mix old and new batteries.
5. Do not mix Alkaline, Standard (Carbon-Zinc) or Rechargeable (Nickel Cadmium, Nickel Metal Hydride, or Lithium-Ion) batteries.
6. Do not dispose of batteries in fire.
7. Batteries should be recycled or disposed of as per state and local guidelines.

Service + Support

If your Sun Joe® 24V-GT10-LTE cordless grass trimmer requires service or maintenance, please call the Snow Joe® + Sun Joe® customer service center at 1-866-SNOWJOE (1-866-766-9563).

Model + Serial Numbers

When contacting the company, reordering parts, or arranging service from an authorized dealer, you will need to provide the model and serial numbers, which can be found on the decal located on the housing of the unit. Copy these numbers into the space provided below.

Record the following numbers from the housing or handle of your new product:	
	Model #:
2 4 V - G T 1 0 - L T E	
	Serial #:

24VCHRG-AC

Federal Communications Commission (FCC)

⚠️WARNING! Any changes or modifications to this unit not expressly approved by the party responsible for compliance could void the user's authority to operate the equipment.

Class B device:

NOTE: This equipment has been tested and found to comply with the limits for a Class B digital device, pursuant to part 15 of the FCC Rules.

These limits are designed to provide reasonable protection against harmful interference in a residential installation.

This equipment generates, uses and can radiate radio frequency energy and, if not installed and used in accordance with the instructions, may cause harmful interference to radio communications.

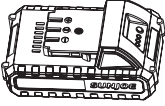
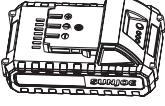
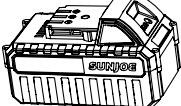


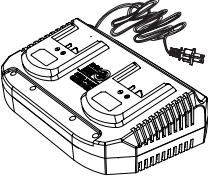
However, there is no guarantee that interference will not occur in a particular installation.

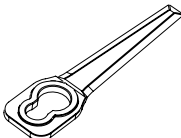

If this equipment does cause harmful interference to radio or television reception, which can be determined by turning the equipment off and on, the user is encouraged to try to correct the interference by one or more of the following measures:

- Reorient or relocate the receiving antenna.
- Increase the separation between the equipment and receiver.
- Connect the equipment into an outlet on a circuit different from that to which the receiver is connected.
- Consult the dealer or an experienced radio/TV technician for help.

Optional Accessories

⚠️ WARNING! ALWAYS use only authorized Snow Joe® + Sun Joe® replacement parts and accessories. NEVER use replacement parts or accessories that are not intended for use with this cordless trimmer. Contact Snow Joe® + Sun Joe® if you are unsure whether it is safe to use a particular replacement part or accessory with your cordless trimmer. The use of any other attachment or accessory can be dangerous and could cause injury or mechanical damage

Accessories	Item	Model
	iON+ 24V 2.0 Ah Lithium-Ion Battery <i>Battery Runtime Max: 50 min (trims up to 860 sq ft of grass)</i>	24VBAT-LTE
	iON+ 24V 2.5 Ah Lithium-Ion Battery <i>Battery Runtime Max: 1 hr (trims up to 1075 sq ft of grass)</i>	24VBAT-LT
	iON+ 24V 4.0 Ah Lithium-Ion Battery <i>Battery Runtime Max: 1 hr 40 min (trims up to 1720 sq ft of grass)</i>	24VBAT
	iON+ 24V 5.0 Ah Lithium-Ion Battery <i>Battery Runtime Max: 2 hrs (trims up to 2150 sq ft of grass)</i>	24VBAT-XR
	iON+ 24V Lithium-Ion Battery Quick Charger	24VCHRG-QC
	iON+ 24V Lithium-Ion Battery Dual Port Charger	24VCHRG-DPC

Accessories	Item	Model
<p>⑦</p> 	<p>Replacement blades (20 pack)</p>	<p>GT10-GBLD-20PK</p>
<p>⑧</p> 	<p>Snow Joe® + Sun Joe® universal wall bracket</p>	<p>SJWB (Fits most Snow Joe® + Sun Joe® tools)</p>

NOTE: Accessories are subject to change without any obligation on the part of Snow Joe® + Sun Joe® to provide notice of such changes. Accessories can be ordered online at sunjoe.com or via phone by contacting the Snow Joe® + Sun Joe® customer service center at 1-866-SNOWJOE (1-866-766-9563).



SNOW JOE® + SUN JOE® CUSTOMER PROMISE

ABOVE ALL ELSE, Snow Joe, LLC (“Snow Joe”) is dedicated to you, our customer. We strive to make your experience as pleasant as possible. Unfortunately, there are times when a Snow Joe®, Sun Joe®, or Aqua Joe® product (“Product”) does not work or breaks under normal operating conditions. We think it’s important that you know what you can expect from us. That’s why we have a Limited Warranty (“Warranty”) for our Products.

OUR WARRANTY:

Snow Joe warrants new, genuine, powered and non-powered Products to be free from defects in material or workmanship when used for ordinary household use for a period of two years from the date of purchase by the original, end-user purchaser when purchased from Snow Joe or from one of Snow Joe’s authorized sellers with proof of purchase. Because Snow Joe is unable to control the quality of its Products sold by unauthorized sellers, unless otherwise prohibited by law, this Warranty does not cover Products purchased from unauthorized sellers. If your Product does not work or there’s an issue with a specific part that is covered by the terms of this Warranty, Snow Joe will elect to either (1) send you a free replacement part, (2) replace the Product with a new or comparable product at no charge, or (3) repair the Product. How cool is that!

This Warranty gives you specific legal rights, and you may also have other rights which vary from State to State.

PRODUCT REGISTRATION:

Snow Joe strongly encourages you to register your Product. You can register online at snowjoe.com/register, or by printing and mailing in a registration card available online from our website, or calling our Customer Service Department at **1-866-SNOWJOE (1-866-766-9563)**, or by e-mailing us at help@snowjoe.com. Failure to register your Product will not diminish your warranty rights. However, registering your Product will allow Snow Joe to better serve you with any of your customer service needs.

WHO CAN SEEK LIMITED WARRANTY COVERAGE:

This Warranty is extended by Snow Joe to the original purchaser and original owner of the Product.

WHAT IS NOT COVERED?

This Warranty does not apply if the Product has been used commercially or for non-household or rental applications. This Warranty also does not apply if the Product was purchased from an unauthorized seller. This Warranty also does not cover cosmetic changes that do not affect performance. Wearing parts like belts, augers, chains and tines are not covered under this Warranty, and can be purchased at snowjoe.com or by calling **1-866-SNOWJOE (1-866-766-9563)**.



A series of 21 horizontal lines spaced evenly down the page, intended for writing or drawing.



PODADORA DE CÉSPED INALÁMBRICA

24 V MÁX. * | 2.0 Ah | 25.4 CM

MANUAL DEL OPERADOR

Una división de Snow Joe®, LLC

Modelo 24V-GT10-LTE

Forma N° SJ-24V-GT10-LTE-800S-MR1

¡IMPORTANTE!

Instrucciones de seguridad

Todos los operadores deberán leer estas instrucciones antes del uso

⚠ ¡PRECAUCIÓN!

Antes de utilizar esta herramienta inalámbrica, lea cuidadosamente y siga las normas de seguridad e instrucciones mencionadas a continuación. Antes de empezar a trabajar, asegúrese de que usted sepa cómo detener la máquina en caso de emergencia. El uso incorrecto de esta máquina puede causar lesiones personales severas. Mantenga estas instrucciones en un lugar seguro y a mano para que puedan ser consultadas cuando sea necesario.

⚠ ¡PRECAUCIÓN!

Esta podadora inalámbrica solo debe ser usada para cortar campos de césped. Otros usos de la podadora no indicados en estas instrucciones pueden dañarla o causar graves lesiones al operador.

Reglas GENERALES de seguridad

⚠ **¡ADVERTENCIA!** Lea todas las advertencias de seguridad e instrucciones. No seguir las instrucciones y advertencias puede causar un choque eléctrico, incendio y/o lesiones personales graves.

1. Evite encendidos accidentales. Asegúrese de que el interruptor esté en la posición de apagado antes de insertar la batería, levantar el artefacto o transportarlo. Llevar un artefacto con su dedo sobre el interruptor, o energizar un artefacto con el interruptor en la posición de encendido, puede causar accidentes.
2. Desconecte la batería del artefacto antes de realizar cualquier ajuste, cambiar accesorios, o guardar el artefacto. Dichas medidas preventivas de seguridad reducen el riesgo de encender el artefacto de forma accidental.
3. Recargue solo con el cargador especificado por el fabricante. Un cargador adecuado para un tipo de batería puede causar un incendio al ser usado con una batería de otro tipo.

4. Use artefactos a batería solo con baterías específicamente diseñadas para éstos. El uso de cualquier otra batería puede causar un incendio o lesiones personales.
5. Cuando la batería no esté siendo usada, manténgala alejada de otros objetos metálicos como monedas, sujetapapeles, clavos, tornillos, alfileres u otros objetos metálicos pequeños que puedan causar el contacto de un terminal de la batería con el otro. Cortocircuitar los terminales de la batería puede causar quemaduras o un incendio.
6. Bajo condiciones extremas, las baterías pueden expulsar un líquido. Evite el contacto con este líquido. Si usted accidentalmente hace contacto con este líquido, enjuáguese con agua. Si el líquido hace contacto con los ojos, adicionalmente busque atención médica. El líquido que sale de las baterías puede causar irritación o quemaduras.
7. No use baterías o artefactos que hayan sido dañados o modificados. Las baterías dañadas o modificadas pueden reaccionar impredeciblemente, causando un incendio, explosión o lesiones personales.
8. No exponga una batería o artefacto al fuego o a temperaturas extremas. Una exposición al fuego o a temperaturas por encima de los 265°F (130°C) puede causar una explosión.
9. Siga todas las instrucciones de carga, y no cargue la batería o artefacto fuera del rango de temperaturas especificado en las instrucciones. Cargar de forma incorrecta o a temperaturas fuera del rango especificado puede dañar la batería e incrementar el riesgo de incendio.
10. Esta podadora inalámbrica deberá ser reparada por una persona calificada usando únicamente partes de repuesto originales con el objetivo de mantener su seguridad.
11. No modifique ni intente reparar el artefacto o la batería (de ser aplicable), a menos que lo haga según lo indicado en las instrucciones de uso y cuidado.
12. **Partes de repuesto:** al reparar esta podadora inalámbrica, utilice solamente partes de repuesto idénticas.
13. **Evite entornos peligrosos:** no use artefactos eléctricos en lugares húmedos o mojados. No use esta podadora de césped inalámbrica bajo la lluvia.
14. **Mantenga alejados a los espectadores y niños:** los niños y otros espectadores, incluyendo mascotas, deberán mantenerse alejados a unos 50 pies (15 m) del área de trabajo. Cuando el césped es cortado, las piedras y escombros en el césped pueden ser recogidos por la

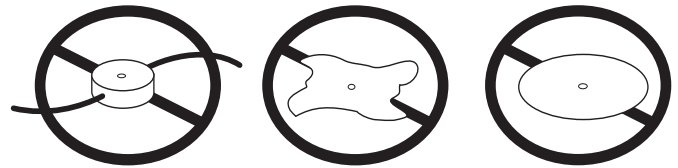
cuchilla y ser dispersados en el aire. Estos proyectiles voladores pueden causar ceguera u otras lesiones personales.

15. **Vístase apropiadamente:** utilice siempre ropa adecuada al utilizar la podadora para evitar lesiones personales a la cabeza, manos o pies. No lleve prendas holgadas ni joyas. Pueden llegar a engancharse en las partes móviles. Se recomienda el uso de guantes de goma y calzado protector cuando se trabaje en exteriores. Utilice cubiertas protectoras de cabello para sujetar y contener cabello largo.
16. **Use gafas protectoras:** use también calzado protector, ropa que se ajuste a su cuerpo, guantes protectores y protección auditiva y para la cabeza. Use siempre una máscara para la cara o contra el polvo si la operación genera polvo.
17. **Utilice las herramientas apropiadas:** no use una herramienta para ningún otro trabajo excepto para el cual haya sido diseñada.
18. **Evite encendidos accidentales:** no inserte la batería en el artefacto con el dedo sobre el interruptor. Asegúrese de que el interruptor esté apagado al insertar la batería.
19. **Desconecte el artefacto:** retire la batería del artefacto cuando no esté siendo usado, antes de repararlo o al cambiarle accesorios.
20. **No fuerce la herramienta:** hará el trabajo mejor y con menos posibilidades de lesiones personales de ser usada con la intensidad para la cual fue diseñada.
21. **No se extralimite:** mantenga con sus pies una posición y un balance adecuados todo el tiempo.
22. **Manténgase alerta:** vea lo que está haciendo. Utilice su sentido común. No opere la podadora si usted está cansado o bajo la influencia del alcohol o las drogas.
23. **Guarde las herramientas inactivas en interiores:** cuando no estén en uso, las herramientas deben almacenarse bajo techo en un lugar seco, alto o bajo llave, lejos del alcance de los niños.
24. **Cuide su herramienta:** siga las instrucciones para la lubricación y cambio de accesorios de la podadora. Inspeccione la podadora periódicamente y reemplácela si está dañada. Haga reparar la podadora solo en un centro de servicio autorizado. Mantenga las manos secas, limpias y sin aceite ni grasa.
25. **Inspeccione la podadora en busca de partes dañadas:** antes de seguir utilizando la podadora, cualquier protector u otro componente dañado deberá ser examinados cuidadosamente para determinar si funcionarán correctamente o no. Verifique el alineamiento y juntas, así como posibles roturas de partes móviles, así como cualquier otra condición que pueda perjudicar el funcionamiento del artefacto. Un protector u otro componente dañado deberá ser reparada correctamente o reemplazada en un centro de servicio autorizado a menos que se indique lo contrario en este manual.

INSTRUCCIONES ADICIONALES DE SEGURIDAD PARA LA PODADORA DE CÉSPED

1. Mantenga el protector en su lugar y funcionando.
2. Mantenga las manos y los pies lejos del área de corte.

⚠ ¡ADVERTENCIA! Nunca use una cuchilla de acero ni ningún otro dispositivo. El uso de cualquier otro accesorio o acoplamiento podría incrementar el riesgo de lesiones personales.



⚠ ¡PRECAUCIÓN! El protector es esencial para la seguridad del operador y de las personas a una distancia segura de la podadora. El protector mantiene a la podadora en buen estado de funcionamiento y debe estar siempre en su lugar durante la operación.

- No intente detener la cuchilla de la podadora con sus manos. Siempre deje que se detenga por sí mismo.

⚠ ¡ADVERTENCIA! Después de apagar la herramienta, la cuchilla continúa girando por unos cuantos segundos más.

- Utilice únicamente el tipo original de cuchilla de nylon para césped. Bajo ninguna circunstancia utilice una línea de metal o de nylon en vez de la cuchilla.
- No utilice la podadora para cortar césped que no esté en contacto con el suelo. Por ejemplo, no corte césped que esté en paredes o rocas.
- No encienda la herramienta en espacios cerrados o de poca ventilación, ni en presencia de sustancias inflamables y/o explosivas tales como líquidos, gases y pólvora.
- Corte solamente a plena luz del día o con luz artificial adecuada.
- Verifique que todos los cortes de césped y suciedad hayan sido removidos de las ranuras de ventilación.
- No cruce caminos o sendas de grava con la herramienta aún funcionando.
- Cuando la herramienta no esté siendo utilizada, almacénela en un lugar seco y lejos del alcance de los niños.
- Luego del uso, retire la batería e inspecciónela en búsqueda de daños. Si usted tiene cualquier duda sobre la condición de la herramienta, comuníquese con un centro de servicio autorizado o comuníquese con la central de servicio al cliente Snow Joe® + Sun Joe® llamando al 1-866-SNOWJOE (1-866-766-9563).
- Use únicamente la herramienta siguiendo las instrucciones proporcionadas en este manual.


- Verifique regularmente que los tornillos estén ajustados.
- No intente reparar la herramienta o acceder a las partes internas. Comuníquese con un centro de servicio autorizado o llame a la central de servicio al cliente Snow Joe® + Sun Joe® al 1-866-SNOWJOE (1-866-766-9563).


Instrucciones de seguridad para la batería y el cargador

Prestamos mucha atención al diseño de cada batería para garantizar la producción de baterías seguras y durables, con una alta densidad de energía. Las celdas de las baterías tienen varios dispositivos de seguridad. Cada celda individual es inicialmente formateada y sus curvas eléctricas características son registradas. Estos datos son luego usados exclusivamente para ensamblar las mejores baterías posibles.


Independientemente de todas las precauciones de seguridad, se debe tener mucho cuidado al manipular las baterías. Las siguientes instrucciones deben ser obedecidas en todo momento para garantizar un uso seguro. Un uso seguro solo puede ser garantizado si se usan celdas libres de daños. Una manipulación incorrecta de las baterías puede causar daños en sus celdas.

¡IMPORTANTE! Los análisis han confirmado que el uso incorrecto y el cuidado deficiente de baterías de alto rendimiento son las causas principales de lesiones personales y/o daños al producto.

 **¡ADVERTENCIA!** Use solo baterías de repuesto aprobadas. Otras baterías pueden dañar la podadora de césped inalámbrica y provocar un desperfecto que cause lesiones personales severas.

 **¡ADVERTENCIA!** No use baterías o artefactos que hayan sido dañados o modificados. Las baterías dañadas o modificadas pueden reaccionar impredeciblemente, causando un incendio, explosión, o riesgo de lesiones personales. No modifique ni intente reparar la batería, a menos que lo haga según lo indicado en las instrucciones de uso y cuidado.

Haga reparar su batería por un técnico calificado empleando solo partes de repuesto idénticas. Esto garantizará que la seguridad de las baterías se mantenga intacta.

 **¡PRECAUCIÓN!** Para reducir el riesgo de lesiones personales, cargue la batería de iones de litio iON+ de 24 V Snow Joe® solo con su cargador de batería de iones de litio iON+ de 24 V Snow Joe® designado. Otros tipos de cargadores presentan riesgos de incendio, lesiones personales y daños materiales. No conecte una batería a un tomacorriente doméstico ni encendedor de cigarrillos en su vehículo. Dicho uso indebido dañará o deshabilitará permanentemente la batería.

- **Evite entornos peligrosos:** no cargue la batería bajo la lluvia o nieve, ni en lugares húmedos o mojados. No use la batería ni el cargador en atmósferas explosivas (gases, polvo o materiales inflamables), ya que al insertar o retirar la batería se pueden generar chispas que causen un incendio.

- **Cargue la batería en un área bien ventilada:** no obstruya los conductos de ventilación del cargador. Manténgalos despejados para permitir una ventilación adecuada. No permita que se fume o haya fuego abierto cerca de una batería siendo cargada. Los gases presentes pueden explotar.

NOTA: el rango seguro de temperatura para la batería es de 41°F (5°C) a 105°F (40.5°C). No cargue la batería en exteriores a temperaturas congelantes. Carguela a temperatura ambiente en interiores.


- **Cuide el cable de alimentación del cargador:** al desenchufar el cargador tire del enchufe, no del cable, para desconectarlo del tomacorriente y así evitar daños al enchufe y cable de alimentación. Nunca transporte el cargador colgado de su cable, ni tire del cable para desconectarlo del tomacorriente. Mantenga el cable alejado del calor, grasas y bordes afilados. Asegúrese de que el cable no sea pisado, que la gente no se tropiece con éste, ni que esté sujeto a daños o tensiones mientras el cargador esté siendo usado. No use el cargador con un cable o enchufe dañado. Reemplace un cargador dañado inmediatamente.

- **No use un cable de extensión a menos que sea absolutamente necesario:** usar un cable de extensión incorrecto, dañado o conectado de forma inapropiada puede causar un incendio o choque eléctrico. Si se debe usar un cable de extensión, conecte el cargador a un cable de extensión de calibre 16 (o más grueso) de alambreado adecuado, con el enchufe macho del cargador encajando perfectamente en el enchufe hembra del cable de extensión. Verifique que el cable de extensión esté en buenas condiciones.

- **El cargador 24VCHRG-AC está especificado solo para 120 V CA:** el cargador debe estar enchufado a un tomacorriente apropiado.

- **Use solo accesorios recomendados:** el uso de un accesorio no recomendado ni vendido por el fabricante de la batería o cargador puede resultar en un riesgo de un choque eléctrico, incendio o lesiones personales.

- **Desenchufe el cargador cuando no esté siendo usado:** asegúrese de retirar la batería de un cargador desenchufado.

 **¡ADVERTENCIA!** Para reducir el riesgo de un choque eléctrico, desenchufe siempre el cargador antes de llevar a cabo cualquier tarea de limpieza o mantenimiento. No permita que entre agua dentro del cargador. Use un interruptor de circuito por falla a tierra (GFCI) para reducir el riesgo de un choque eléctrico.

- **No quemé ni incinere baterías:** las baterías pueden explotar, causando lesiones personales o daños. Las baterías generan sustancias y humos tóxicos al ser quemadas.
 - **No triture, deje caer ni dañe las baterías:** no use la batería ni el cargador si han sido severamente golpeados, se han dejado caer, se han aplastado, o han sido dañados de cualquier forma como por ejemplo perforados con un clavo, golpeados con un martillo, pisados, etc.
 - **No los desarme:** el reensamblado incorrecto puede presentar un riesgo severo de choque eléctrico, fuego o exposición a químicos tóxicos de la batería. Si la batería o el cargador están dañados, contacte a un concesionario autorizado Snow Joe® + Sun Joe® o comuníquese con la central de servicio al cliente Snow Joe® + Sun Joe® llamando al 1-866-SNOWJOE (1-866-766-9563) para obtener ayuda.
 - **Los químicos de la batería causan quemaduras severas:** nunca deje que una batería dañada haga contacto con la piel, ojos o boca. Si una batería dañada deja escapar químicos, use guantes de hule o neopreno para deshacerse de ella de forma segura. Si la piel es expuesta a los químicos de la batería, lave el área afectada con jabón y agua, y enjuague con vinagre. Si los ojos son expuestos a los químicos, inmediatamente enjuáguelos con agua durante 20 minutos y busque atención médica. Quítese y deshágase de las vestimentas contaminadas.
 - **No provoque un cortocircuito:** una batería puede hacer cortocircuito si un objeto metálico hace conexión entre los contactos positivo y negativo de la batería. No coloque una batería cerca de objetos que puedan causar un cortocircuito tales como monedas, sujetapapeles, tornillos, clavos, llaves u otros objetos metálicos. Una batería cortocircuitada representa un riesgo de incendio y lesiones personales severas.
 - **Guarde su batería y cargador en un lugar fresco y seco:** no guarde la batería o cargador donde las temperaturas puedan exceder los 105°F (40.5°C), como bajo la luz directa del sol o dentro de un vehículo o construcción metálica durante el verano.
- cumplir con los requisitos de alta potencia necesarios para la operación adecuada de su podadora y, por lo tanto, representan un riesgo de seguridad.
5. No arroje las baterías al fuego abierto ya que pueden causar una explosión.
 6. No quemé la batería ni la esponja al fuego.
 7. No descargue las baterías exhaustivamente. Una descarga exhaustiva dañará las celdas de la batería. La causa más común de descarga exhaustiva es el almacenamiento prolongado o la falta de uso de baterías parcialmente descargadas. Deje de trabajar tan pronto como el rendimiento de la batería caiga considerablemente o se active el sistema de protección electrónico. Almacene la batería únicamente luego de haberla cargado por completo.
 8. Proteja la batería y la herramienta contra sobrecargas. Las sobrecargas causarán rápidamente un sobrecalentamiento y daños a las celdas dentro de la batería, incluso si este sobrecalentamiento no es aparente por fuera.
 9. Evite daños y golpes. Reemplace inmediatamente una batería que se haya caído desde una altura de más de un metro o que haya sido expuesta a golpes violentos, incluso si el exterior de la batería aparenta no tener daños. Las celdas dentro de la batería pueden haber sufrido daños severos. En dichos casos, lea la información de eliminación para deshacerse apropiadamente de la batería.
 10. Si la batería sufre una sobrecarga y sobrecalentamiento, el sistema interruptor de corte de protección integrado apagará el equipo por motivos de seguridad.
¡IMPORTANTE! No presione más el gatillo interruptor si el sistema interruptor de corte de protección se ha activado. Esto puede dañar la batería.
 11. Use únicamente baterías originales. El uso de otras baterías puede causar lesiones personales o una explosión.

Información sobre el cargador y el proceso de carga

Información sobre la batería

1. La batería suministrada con su podadora inalámbrica está cargada solo parcialmente. La batería tiene que ser cargada por completo antes de que usted use la herramienta por primera vez.
 2. Para un óptimo rendimiento de la batería, evite ciclos de descarga baja cargándola frecuentemente.
 3. Guarde la batería en un lugar fresco, de preferencia a 77°F (25°C) y cargada al menos a un 40%.
 4. Las baterías de iones de litio están sujetas a un proceso natural de desgaste. La batería debe ser reemplazada a más tardar cuando su capacidad caiga a un 80% de su capacidad inicial, cuando estaba nueva. Las celdas debilitadas en una batería gastada no son capaces de
1. Verifique la información indicada en la placa de especificaciones del cargador de batería. Asegúrese de conectar el cargador de batería a una fuente de alimentación que tenga el voltaje indicado en la placa de especificaciones. Nunca lo conecte a una fuente de alimentación con un voltaje distinto al indicado.
 2. Proteja el cargador de batería y su cable contra daños. Mantenga el cargador y su cable alejados del calor, grasa, aceite y bordes afilados. Haga reparar sin demora los cables dañados por un técnico calificado en un concesionario autorizado Snow Joe® + Sun Joe® o comuníquese con la central de servicio al cliente Snow Joe® + Sun Joe® llamando al 1-866-SNOWJOE (1-866-766-9563).











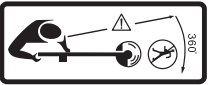
3. Los enchufes eléctricos deben encajar en los tomacorrientes. Nunca modifique el enchufe de ninguna manera. No use ningún adaptador de enchufe con artefactos que tengan conexión a tierra. El uso de enchufes no modificados y tomacorrientes equivalentes reducirá el riesgo de un choque eléctrico.
4. Mantenga el cargador de batería, la batería y la herramienta inalámbrica lejos del alcance de los niños.
5. No use el cargador de batería suministrado para cargar baterías de otras herramientas inalámbricas.
6. Durante periodos de trabajo pesado, la batería se calentará. Permita que la batería se enfríe a temperatura ambiente antes de conectarla a su cargador para su recarga.
7. No sobrecargue las baterías. No exceda los tiempos máximos de carga. Estos tiempos de carga solo se aplican a baterías descargadas. La inserción frecuente de una batería cargada o parcialmente cargada resultará en una sobrecarga y daños a las celdas. No deje la batería conectada al cargador por días enteros.
8. Nunca use o cargue las baterías si sospecha que han pasado más de doce (12) meses desde la última vez que fueron cargadas. Existe una alta probabilidad de que la batería ya haya sufrido un daño severo (descarga exhaustiva).
9. Cargar baterías a una temperatura menor de 41°F (5°C) causará daños químicos a las celdas y puede provocar un incendio.
10. No use baterías que hayan sido expuestas al calor durante el proceso de carga, ya que sus celdas pueden haber sufrido daños severos.
11. No use baterías que se hayan curvado o deformado durante el proceso de carga, ni aquellas que muestren otros síntomas atípicos como liberación de gases, zumbidos, grietas, etc.
12. Nunca descargue por completo la batería: se recomienda una profundidad de descarga de un 80%. Una descarga completa de la batería causará un envejecimiento prematuro de las celdas de la batería.
6. Proteja las baterías contra el sobrecalentamiento. Las sobrecargas, exceso de carga y exposición a la luz directa del sol darán como resultado un sobrecalentamiento y daños a las celdas. Nunca cargue ni trabaje con baterías que hayan estado sobrecalentadas. De ser posible, reemplácelas inmediatamente.
7. Guarde el cargador de batería y su herramienta inalámbrica solo en entornos secos y a una temperatura ambiente de entre 41°F (5°C) y 105°F (40.5°C). Guarde su batería de iones de litio en un lugar fresco y seco, a una temperatura ambiente de 77°F (25°C). Proteja la batería, el cargador y la herramienta inalámbrica contra la humedad y la luz directa del sol. Solo almacene baterías cargadas por completo.
8. Evite que la batería de iones de litio se congele. Las baterías almacenadas a una temperatura menor de 32°F (0°C) por más de 60 minutos deberán ser desechadas.
9. Al manipular baterías, tenga cuidado con las descargas electrostáticas. Las descargas electrostáticas pueden dañar el sistema electrónico de protección y las celdas de la batería. Evite las descargas electrostáticas y nunca toque los polos de la batería.

Protección contra influencias del entorno

1. Use ropa de trabajo adecuada. Use gafas protectoras.
2. Proteja su herramienta inalámbrica y el cargador de batería contra la humedad y la lluvia. La humedad y la lluvia pueden causar graves daños a las celdas.
3. No use la herramienta inalámbrica ni el cargador de batería cerca de vapores o líquidos inflamables.
4. Use el cargador de batería y la herramienta inalámbrica solo en entornos secos y a una temperatura ambiente de entre 41°F (5°C) y 105°F (40.5°C).
5. No coloque el cargador de batería en lugares donde la temperatura pueda sobrepasar los 105°F (40.5°C). En particular, no deje el cargador de batería en un auto estacionado bajo la luz directa del sol.

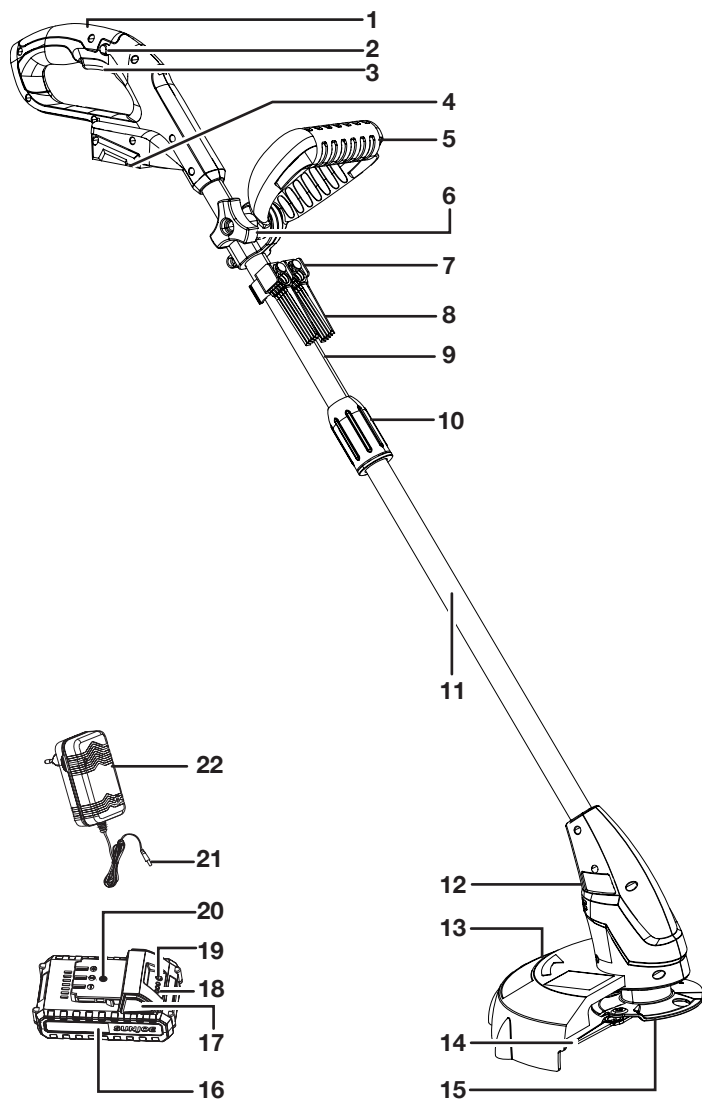
Símbolos de seguridad

La siguiente tabla muestra y describe los símbolos de seguridad que pueden aparecer en este producto. Lea, comprenda y siga todas las instrucciones relacionadas con esta máquina antes de intentar ensamblarla y operarla.

Símbolo	Descripción	Símbolo	Descripción
	LEA EL(LOS) MANUAL(ES) DEL OPERADOR: lea, comprenda y siga todas las instrucciones en el(los) manual(es) antes de intentar ensamblar y operar esta unidad.		Mantenga a los transeúntes y niños alejados a una distancia segura.
	ALERTA DE SEGURIDAD: indica una precaución, advertencia o peligro.		¡ADVERTENCIA! No exponga la unidad a la lluvia ni a entornos mojados.
	USE PROTECCIÓN OCULAR Y AUDITIVA: para evitar lesiones personales, use protección auditiva y gafas protectoras.		Tenga cuidado con objetos y escombros voladores.
	Use guantes de seguridad durante la operación para proteger sus manos.		Utilice calzado antideslizante que proteja sus pies y mejore su posición de pie en superficies resbaladizas.
	Solo para uso en interiores. Utilice el cargador de batería solamente en interiores.		Retire la batería antes de cualquier tarea de reparación o mantenimiento.
	¡PELIGRO! Evite arrojar objetos a los espectadores. Mantenga a los espectadores alejados por lo menos a 15 m (50 pies) de la máquina.		

Conozca su podadora de césped inalámbrica

Lea detenidamente el manual del operador y las instrucciones de seguridad antes de operar su podadora de césped inalámbrica. Compare la ilustración debajo con la podadora de césped inalámbrica para familiarizarse con las ubicaciones de los diversos controles y ajustes. Conserve este manual para futuras referencias.



1. Mango
2. Botón de trabado de seguridad
3. Gatillo interruptor
4. Compartimiento de batería
5. Mango auxiliar
6. Perilla de mango auxiliar
7. Compartimiento incorporado para cuchillas
8. Cuchillas podadoras de césped (x10)
9. Tubo superior
10. Collar de tubo
11. Tubo inferior
12. Carcasa de motor
13. Protector
14. Cuchilla de césped (x1)
15. Eje de cuchillas
16. Batería de iones de litio iON+ de 24 V (24VBAT-LTE) con exclusiva tecnología EcoSharp®
17. Botón de trabado
18. Indicadores de batería
19. Botón para indicador de batería
20. Receptáculo de carga
21. Conector de cargador
22. Cargador de batería de iones de litio iON+ de 24 V (24VCHRG-AC)

Datos técnicos

Motor	550 W	Salida del cargador	25.2 V CC \equiv 1,400 mA
Voltaje máx. de la batería*	24 V CC	Tiempo máximo de carga	1 hr 20 min
Capacidad de la batería	2.0 Ah	Diámetro de corte	10 plg (25.4 cm)
Tiempo máx. de la batería	50 minutos	Rotor	Cuchilla de nylon para césped PA66
	(poda hasta 80 m ² de césped)		(Un total de 11 cuchillas incluidas)
Entrada del cargador	De 100 V a 240 V CA;	Peso neto	3.3 lb (1.5 kg)
	de 50 Hz a 60 Hz, 50 W		

*El voltaje inicial sin carga, cuando la batería está cargada por completo, alcanza un máximo de 24 V. El voltaje nominal bajo una carga típica es de 21.6 V.

Desembalaje

Contenido del paquete:

- Ensamblado de tubo inferior de podadora de césped
- Ensamblado de tubo superior de podadora de césped (con 10 cuchillas de repuesto y compartimiento incorporado)
- Protector
- Tornillo de protector
- Batería de iones de litio iON+ de 24 V
- Cargador de batería de iones de litio iON+ de 24 V
- Manuales y tarjeta de registro

1. Retire cuidadosamente la podadora de césped inalámbrica y compruebe que todos los artículos anteriores estén incluidos.
2. Inspeccione cuidadosamente el producto para asegurarse de que no haya ocurrido ningún daño o ruptura durante su transporte. Si alguna parte está dañada o extraviada, NO DEVUELVA la unidad a la tienda. Comuníquese con la central de servicio al cliente Snow Joe® + Sun Joe® llamando al 1-866-SNOWJOE (1-866-766-9563).

NOTA: no se deshaga de la caja de transporte ni de los materiales de embalaje hasta que usted esté listo para usar su podadora de césped inalámbrica. El empaquetado está hecho de materiales reciclables. Deshágase apropiadamente de estos materiales según los reglamentos locales, o guarde el empaquetado para el almacenamiento del producto a largo plazo.

¡IMPORTANTE! Este artefacto y sus materiales de embalaje no son juguetes. No permita que los niños jueguen con bolsas plásticas, láminas o partes pequeñas. ¡Estos objetos pueden ser tragados y causar asfixia!

Operación de la batería

La unidad es alimentada por una batería de iones de litio. La batería está completamente sellada y no requiere de mantenimiento.

⚠ ¡ADVERTENCIA! Antes de su primer uso, la batería requiere al menos 1 hora 20 minutos de carga para que esté cargada por completo. Cuando la batería esté a baja capacidad, recargue por 1 hora y 20 minutos nuevamente antes de reiniciar la operación.

Indicador de nivel de carga de batería

La batería tiene un botón para comprobar su nivel de carga. Simplemente presione el botón para leer el nivel de carga de la batería en los LED indicadores de la batería:

- Los tres LED indicadores de nivel están encendidos: el nivel de carga de la batería es elevado.
- Dos LED indicadores de nivel están encendidos: el nivel de carga de la batería está disminuyendo. Deje de trabajar tan pronto como sea posible.

- Un LED indicador de nivel está encendido: el nivel de carga de la batería está bajo. Deje de trabajar INMEDIATAMENTE y cargue la batería, de otro modo, la vida útil de la batería se reducirá en gran medida.

Luces	Significado
	Botón de nivel de carga
	La batería está cargada a un 30% y requiere ser cargada de inmediato
	La batería está cargada a un 60% y requiere ser cargada pronto
	La batería está cargada por completo

NOTA: si el botón de nivel de carga no parece funcionar, conecte la batería al cargador y cargue según se requiera.

NOTA: inmediatamente luego del uso de la batería, el botón de nivel de carga puede mostrar una carga más baja que la que se mostrará algunos minutos después. Las celdas de las baterías “recuperan” parte de su carga luego de permanecer inactivas.

Operación del cargador

⚠ ¡ADVERTENCIA! Cargue solo baterías de iones de litio iON+ de 24 V con su cargador compatible de baterías de iones de litio iON+ de 24 V. Otros tipos de baterías pueden causar lesiones personales y daños materiales.

Para reducir el riesgo de un choque eléctrico, no permita que entre agua a la conexión CA/CC del cargador.

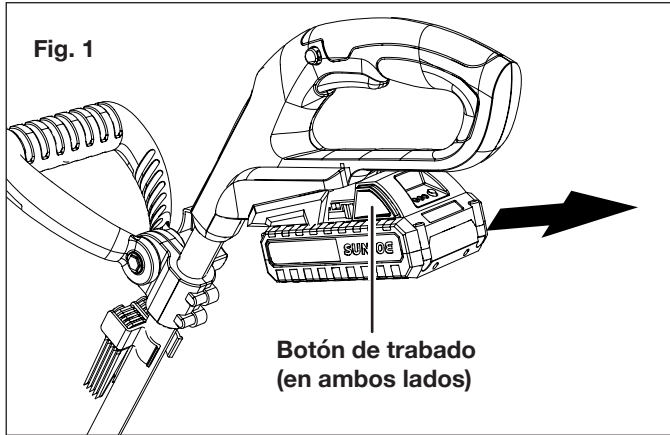
Cuándo cargar la batería de iones de litio iON+ 24VBAT-LTE

NOTA: las baterías de iones de litio iON+ 24VBAT-LTE no crean una “memoria” al ser cargadas luego de una descarga parcial. Por tanto, no hay necesidad de agotar la batería antes de colocarla en el cargador.

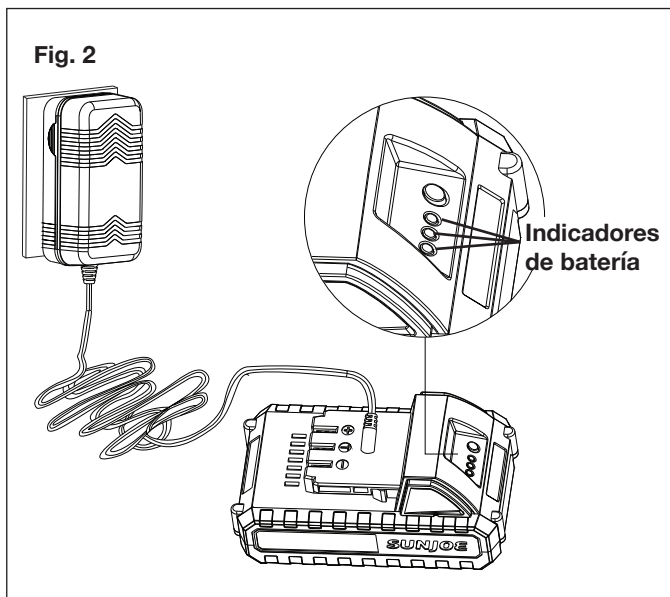
- Use las luces indicadoras de carga de batería para determinar cuándo cargar su batería de iones de litio iON+ 24VBAT-LTE.
- Usted puede cargar por completo su batería antes de empezar un trabajo grande o luego de un uso prolongado.

Carga de la batería

1. Presione los botones de trabado en la batería para poder extraer la batería fuera del equipo (Fig. 1).



2. Compruebe que el voltaje de la red eléctrica sea el mismo que el indicado en la placa de especificaciones del cargador de la batería. Luego, enchufe el adaptador del cargador en un tomacorriente CA apropiado. Conecte el conector del cargador en el receptáculo de carga de la batería para empezar a cargarla (Fig. 2).



3. La batería tomará aproximadamente 1 hora 20 minutos en cargarse. Las luces LED indicadoras de la batería parpadearán y se iluminarán una a una durante el proceso de carga. Desconecte el cargador inmediatamente cuando las tres luces LED estén iluminadas.

⚠ ¡PRECAUCIÓN! PELIGRO DE INCENDIO. Al desconectar el cargador de la batería, asegúrese de desenchufar primero el cargador del tomacorriente, y luego desconectar el cargador de la batería.

⚠ ¡ADVERTENCIA! Este cargador no se apaga de forma automática cuando la batería está completamente cargada. Tenga cuidado de no dejar la batería conectada al cargador. Apague o desenchufe el cargador del tomacorriente cuando la carga haya sido completada.

4. Una recarga oportuna de la batería ayudará a prolongar su vida útil. Usted debe recargar la batería cuando note una caída en la potencia del equipo.

¡IMPORTANTE! Nunca permita que la batería se descargue por completo ya que esto causará un daño irreversible a la batería.

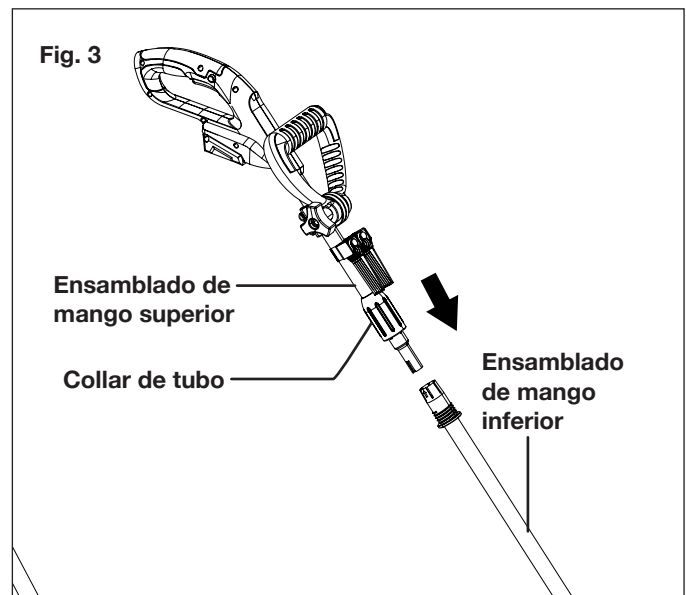
Ensamblado

Antes de usar la podadora de césped inalámbrica, siga estas instrucciones para su ensamblado:

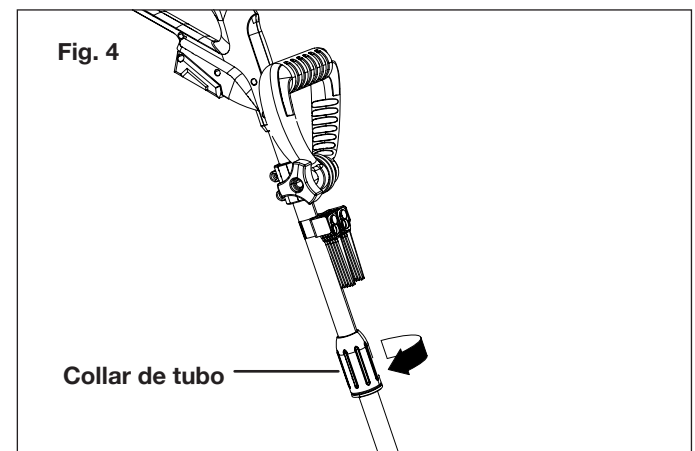
⚠ ¡ADVERTENCIA! No inserte la batería hasta que el ensamblado haya sido completado. El incumplimiento de esta advertencia puede resultar en un encendido accidental que cause lesiones personales severas.

Conexión de los tubos

1. Conecte los tubos insertando el ensamblado de tubo superior dentro del ensamblado de tubo inferior (Fig. 3).



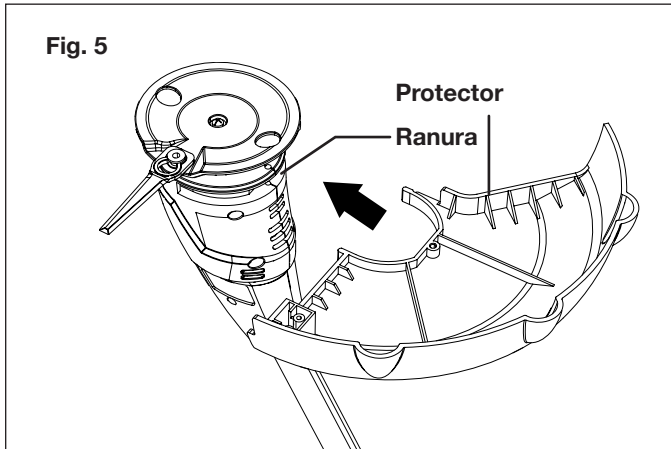
2. Enrosque el collar del tubo en la rosca para asegurar los tubos (Fig. 4).



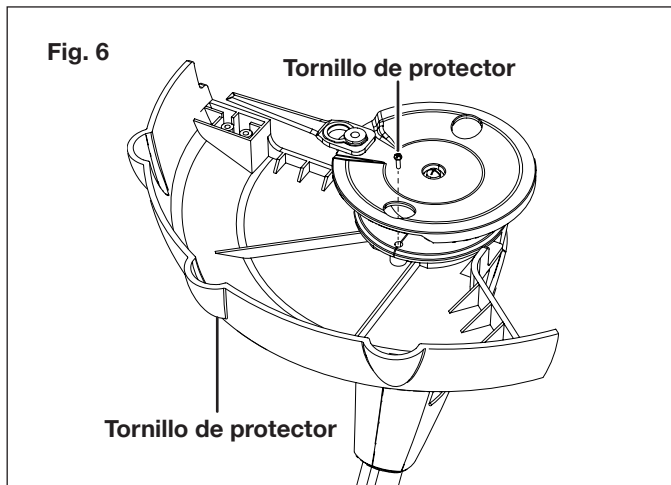
Colocación del protector

⚠ ¡ADVERTENCIA! El protector debe estar instalado correctamente. Este protector proporciona una protección parcial contra el riesgo de objetos lanzados al operador y a otras personas.

1. Coloque el protector en la ranura de la carcasa, tal como se muestra (Fig. 5).



2. Sujete el eje de la cuchilla en su lugar, y use el tornillo del protector para fijar el protector en su lugar, tal como se muestra (Fig. 6).



Operación

La podadora de césped inalámbrica está destinada para cortar césped y hierbas debajo de arbustos, así como en pendientes y bordes que una podadora de césped convencional no puede alcanzar. La podadora debe ser usada solo en exteriores, en una temperatura ambiente entre 41°F (5°C) y 113°F (45°C).

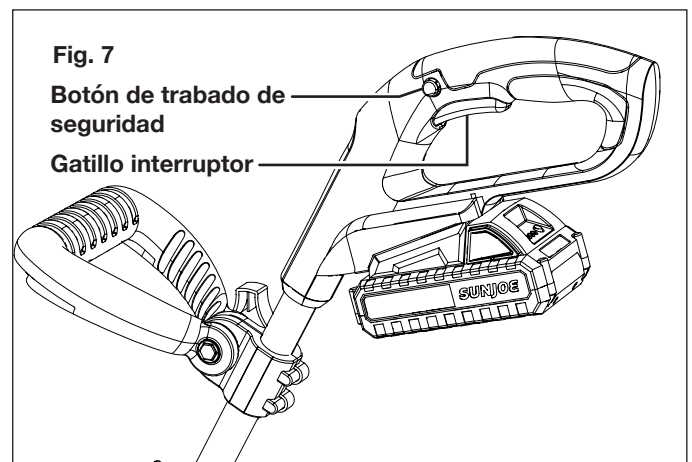
⚠ ¡ADVERTENCIA! Retire piedras, palos pequeños y otros objetos del área a ser podada. La cuchilla de nylon continuará girando por algunos segundos luego de que la podadora sea apagada. Permita que el motor se detenga

por completo antes de encender la podadora de nuevo. No encienda y apague rápidamente la podadora.

⚠ ¡ADVERTENCIA! Las piedras o escombros pueden rebotar o ser lanzados a los ojos y rostro, causando ceguera u otras lesiones personales severas. Nunca se agache a ver de cerca el cabezal de podado, y use siempre protección ocular.

Gatillo interruptor

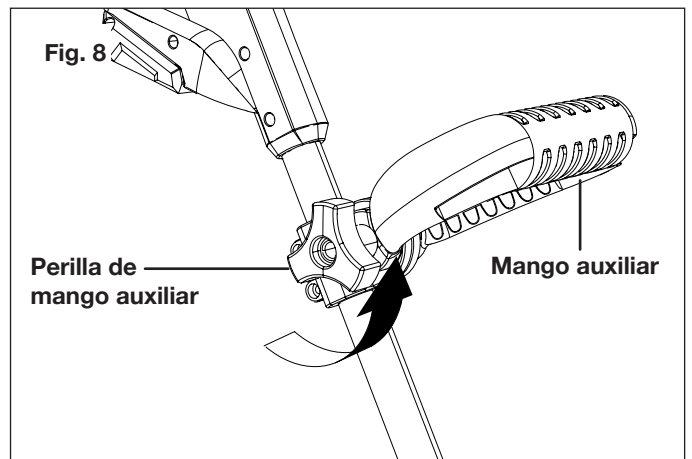
1. Inserte la batería en el compartimiento de batería, en la parte trasera de la máquina. Presione hasta que haga clic en su posición. Presione el botón de trabado de seguridad y, sin soltarlo, apriete el gatillo interruptor. Cuando la máquina esté funcionando de forma estable, suelte el botón de trabado de seguridad (Fig. 7).



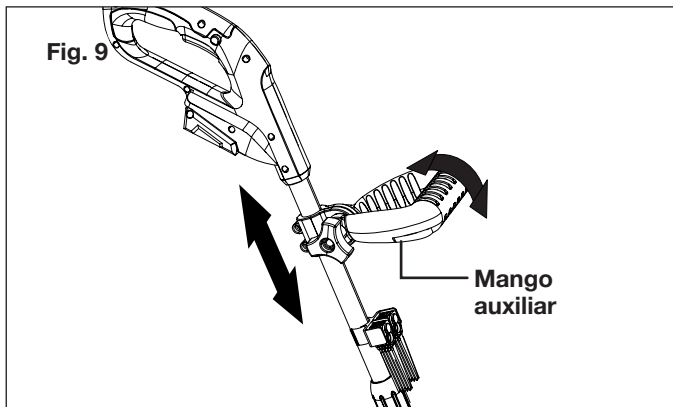
2. Para apagar la unidad, suelte el gatillo interruptor (Fig. 7). Retire la batería.

Ajuste del mango auxiliar

1. Apague la máquina y retire la batería. Espere a que las palas se hayan detenido por completo.
2. Gire la perilla de mango auxiliar en sentido antihorario para aflojar el mango auxiliar (Fig. 8).



3. Ajuste la posición del mango auxiliar según sea necesario deslizándolo a lo largo del mango superior (Fig. 9).
4. Ajuste el ángulo del mango auxiliar según sea necesario girándolo tal como se muestra (Fig. 9).



5. Trabe el mango auxiliar girando la perilla en sentido horario.

Podar



⚠ ¡ADVERTENCIA! Siempre sujete la podadora de césped lejos de su cuerpo, manteniendo una distancia de al menos dos pies entre cualquier parte de su cuerpo y el cabezal con accesorio de cuchilla. Cualquier contacto con la cuchilla podadora durante la operación puede causar una lesión personal severa (Fig. 10).

⚠ ¡ADVERTENCIA! Para evitar daños a la cuchilla o a su eje, permita al menos una distancia de un pie entre la cuchilla y cualquier objeto cercano. Nunca use la podadora cerca de banquetas, cercas, postes, terrazas, construcciones o cualquier otro objeto inamovible. Una cuchilla dañada puede causar graves lesiones personales.

- Inspeccione la cuchilla antes de cada uso y de forma periódica durante largos periodos de trabajo. Si la cuchilla está doblada, torcida, agrietada, partida o dañada, deje de usar la máquina inmediatamente y reemplace la cuchilla.
- Inspeccione el área y retire de esta todos los objetos ocultos tales como vidrios, rocas, pedazos de concreto, cercas, alambres, maderas, metales, etc. que puedan ser arrojados por la máquina.
- Mantenga una sujeción firme en los mangos de la podadora durante el corte. Mantenga la cuchilla alejada del cuerpo y por debajo del nivel de la cintura.
- Luego de soltar el gatillo interruptor, use maleza más gruesa o brotes pulposos para desacelerar la cuchilla, de ser necesario, hasta que se detenga. Mantenga un control apropiado hasta que la cuchilla haya dejado de girar por completo.
- No intente tocar o detener la cuchilla giratoria.

Mantenimiento

⚠ ¡ADVERTENCIA! Antes de realizar cualquier tarea de mantenimiento, apague la batería y retire la batería.

⚠ ¡ADVERTENCIA! Use siempre guantes protectores durante las operaciones de mantenimiento. No realice operaciones de mantenimiento cuando el motor esté caliente o funcionando.

- La limpieza y el mantenimiento periódicos de su podadora de césped garantizará la eficiencia y prolongará la vida útil de su máquina.
- Luego de cada operación de corte, retire el césped y tierra de toda la podadora y su protector.
- Durante la operación, mantenga los conductos de ventilación limpios y libres de césped.
- Solo use un paño empapado con agua caliente y un cepillo suave para limpiar la podadora de césped.
- No rocíe o moje el artefacto con agua.
- No utilice detergentes o disolventes ya que podrían arruinar la podadora. Las partes de plástico pueden fácilmente ser dañadas por los agentes químicos.
- Para reparaciones no explicadas en este manual, comuníquese con la central de servicio al cliente llamando al 1-866-SNOWJOE (1-866-766-9563).

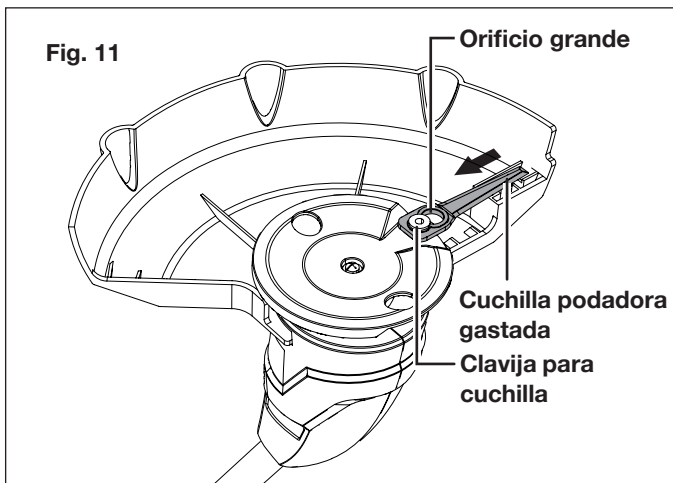
¡IMPORTANTE! Las tareas de reparación, mantenimiento y ajuste de esta herramienta motorizada deben ser realizadas solo por un técnico calificado usando solo partes de repuesto idénticas. Esto mantendrá la seguridad del producto. Contacte a un concesionario autorizado Snow Joe® + Sun Joe® o comuníquese con la central de servicio al cliente Snow Joe® + Sun Joe® llamando al 1-866-SNOWJOE (1-866-766-9563) para obtener ayuda.

Reemplazo de la cuchilla podadora

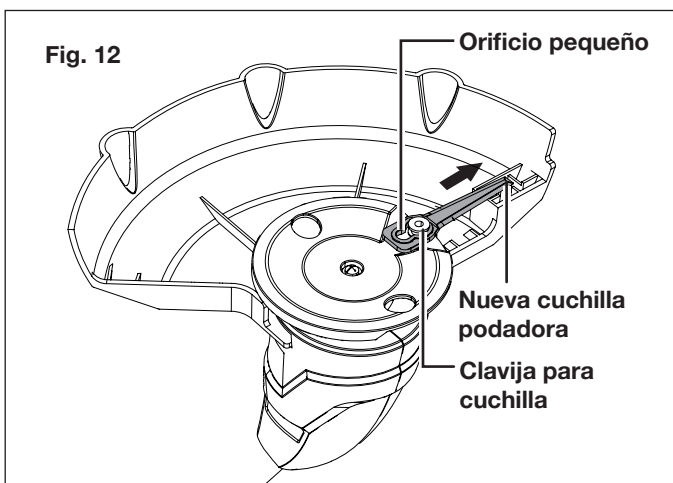
NOTA: con el tiempo, la cuchilla podadora puede gastarse debido al uso extendido. Reemplace inmediatamente la cuchilla gastada con una de las cuchillas de repuesto incluidas. No use otros objetos como cuchillas de acero, alambres, sogas, cuerdas, etc. ya que se pueden romper durante el corte y convertirse en proyectiles peligrosos que causen graves lesiones personales.

Cuchillas de repuesto adicionales (modelo GT10-GBLD-20PK) están también disponibles en sunjoe.com.

1. Detenga la unidad y retire la batería de su compartimiento antes de cambiar la cuchilla podadora.
2. Para retirar la cuchilla podadora gastada, primero mueva la cuchilla hacia adentro tal como se muestra hasta que la clavija de la cuchilla esté en el orificio grande de la cuchilla. Entonces la cuchilla podrá ser retirada fácilmente de la máquina (Fig. 11).



3. Coloque la clavija para cuchilla en el orificio grande de la nueva cuchilla, y jale la nueva cuchilla hacia afuera hasta que la clavija se traben en el orificio de la nueva cuchilla (Fig. 12).



Cuidado apropiado de la batería y el cargador

⚠ ¡ADVERTENCIA! Para reducir el riesgo de lesiones personales, desenchufe siempre el cargador y desconecte la batería del cargador antes de llevar a cabo cualquier tarea de mantenimiento. Nunca desarme la batería ni el cargador. Para TODAS las reparaciones, comuníquese con su distribuidor Snow Joe® + Sun Joe® o con la central de servicio al cliente Snow Joe® + Sun Joe®.

1. Para reducir el riesgo de daños y lesiones personales, nunca sumerja la batería o el cargador en un líquido ni permita que ningún líquido entre dentro de estos componentes.
2. Limpie de polvo y residuos los conductos de ventilación del cargador y los contactos eléctricos soprándolos con aire comprimido.
3. Use solo un cepillo suave, limpio y seco para limpiar la batería y su cargador, manteniéndolo alejado de todos los contactos eléctricos. Ciertos agentes y solventes de limpieza son dañinos para los plásticos y otras partes aisladas. Algunos de estos incluyen gasolina, trementina, diluyente de laca, diluyente de pintura, solventes clorados para limpieza, amoníaco y detergentes caseros con amoníaco. Nunca use solventes inflamables o combustibles cerca de baterías, cargadores de batería, o herramientas.
4. El cargador de baterías de iones de litio iON+ 24VCHRG-AC no tiene partes reparables.

Almacenamiento

Siga estas recomendaciones para almacenar la podadora de césped.

- Limpie a fondo la podadora de césped antes de guardarla.
- Guarde la podadora en un lugar estable y seguro, lejos del alcance de los niños. Mantenga la podadora en un lugar seco donde la temperatura no sea ni muy fría ni muy caliente.
- No guarde la podadora de césped echada sobre el piso. Cuélguela por el mango superior, de modo que el protector no toque nada. Si el protector se apoya contra una superficie, su forma y dimensiones pueden ser alteradas permanentemente, haciendo que la máquina sea insegura para su uso.

Almacenamiento de la batería y el cargador fuera de temporada

1. No exponga su batería o cargador al agua o lluvia, ni permita que se mojen. Esto podría dañar permanentemente la batería y el cargador. No use aceites o solventes para limpiar o lubricar su batería ya que la cubierta de plástico puede tornarse quebradiza y romperse, causando lesiones personales graves.

2. Guarde la batería y el cargador a una temperatura ambiente, lejos de la humedad. No los guarde en lugares húmedos donde los terminales se puedan corroer. Como con cualquier otro tipo de batería, puede ocurrir una pérdida permanente de capacidad si la batería es almacenada por largos periodos de tiempo a temperaturas elevadas (mayores de 120°F [49°C]).
3. Las baterías de iones de litio iON+ 24VBAT-LTE mantienen su carga durante el almacenamiento por más tiempo que otras baterías. Como costumbre, es mejor desenchufar el cargador y desconectar la batería cuando no estén siendo usados. Recargue la batería cada seis meses al 50% de su capacidad (dos luces encendidas) durante el almacenamiento fuera de temporada para mantener un rendimiento óptimo de la batería.

Precaución y eliminación de la batería

Deshágase de su batería de acuerdo con los reglamentos federales, estatales y locales. Para encontrar lugares de reciclaje, comuníquese con un servicio de reciclaje en su localidad.

⚠ ¡PRECAUCIÓN! Incluso las baterías descargadas contienen algo de energía. Antes de deshacerse de estas, use cinta aislante para cubrir los terminales y evitar que la batería haga cortocircuito, lo cual puede causar una explosión o incendio.

⚠ ¡ADVERTENCIA! Para reducir el riesgo de lesiones personales o explosión, nunca queme ni incinere una batería incluso si está dañada, inservible o completamente descargada. Al ser quemada, los humos y materiales tóxicos son lanzados a la atmósfera circundante.

1. Las baterías varían de acuerdo al dispositivo. Consulte su manual para obtener la información específica.
2. Instale solo nuevas baterías del mismo tipo en su producto (donde corresponda).
3. No insertar las baterías con la polaridad correcta, tal como se indica en el compartimiento de la batería o en el manual, puede reducir el ciclo de vida útil de las baterías o causar fugas en estas.
4. No combine baterías nuevas con antiguas.
5. No combine baterías alcalinas, estándar (de zinc-carbono) o recargables (de níquel-cadmio, de níquel-hidruro metálico o de iones de litio).
6. No arroje las baterías al fuego.
7. Las baterías deben ser recicladas o desechadas según los reglamentos locales y estatales.

Servicio y soporte

Si su podadora de césped inalámbrica 24V-GT10-LTE de Sun Joe® requiere servicio o mantenimiento, comuníquese con la central de servicio al cliente Snow Joe® + Sun Joe® llamando al 1-866-SNOWJOE (1-866-766-9563).


Modelo y número de serie

Al comunicarse con la empresa, ordenar partes de repuesto o programar una reparación en un centro autorizado, usted necesitará proporcionar el modelo y número de serie, los cuales se encuentran en la etiqueta ubicada en la carcasa de la unidad. Copie estos números en el espacio proporcionado a continuación.

<p>Registre los siguientes números que se encuentran en la carcasa o mango de su nuevo producto:</p>	
<p>Modelo:</p>	<p>2 4 V - G T 1 0 - L T E </p>
<p>Nº de serie:</p>	<p> </p>

24VCHRG-AC

Federal Communications Commission (Comisión Federal de Comunicaciones o FCC):

 **¡ADVERTENCIA!** Cualquier cambio o modificación a esta unidad no aprobado expresamente por la parte responsable por el cumplimiento puede hacer que el usuario pierda el derecho de utilizar el equipo.

Dispositivo Clase B:

NOTA: este equipo ha sido probado y cumple con los límites de la Clase B de dispositivos digitales, de acuerdo con la Parte 15 de las normas de la FCC.

Estos límites están diseñados para proporcionar protección razonable contra interferencias dañinas en una instalación residencial.

Este equipo genera, usa y puede irradiar energía de radiofrecuencia y, si no se instala y utiliza de acuerdo con las instrucciones, puede provocar interferencias perjudiciales en las comunicaciones radiofónicas.

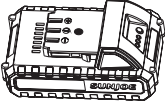
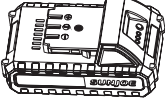
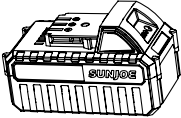
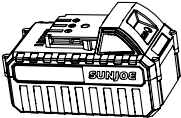

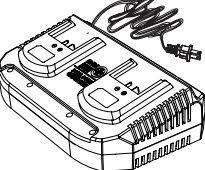
No obstante, no hay garantía alguna de que no se produzcan interferencias en una instalación concreta.

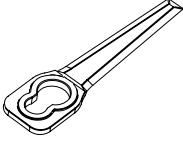
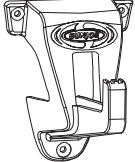
Si este equipo llegara a causar una interferencia perjudicial para la recepción de radio o televisión (la cual se puede determinar apagando y encendiendo el equipo), se recomienda que el usuario trate de corregir la interferencia tomando una o más de las siguientes medidas:

- Reorientar o reubicar la antena receptora.
- Aumentar la distancia entre el equipo y el receptor.
- Conectar el equipo a un tomacorriente correspondiente a un circuito diferente de aquel al que está conectado el receptor.
- Consultar con un comerciante o con un técnico experimentado de radio y televisión.

Accesorios opcionales

⚠ ¡ADVERTENCIA! USE SIEMPRE solo partes de repuesto y accesorios Snow Joe® + Sun Joe®. NUNCA use partes de repuesto o accesorios que no estén destinados para su uso con esta podadora de césped inalámbrica. Comuníquese con Snow Joe® + Sun Joe® si tiene dudas sobre si es seguro usar una parte de repuesto o accesorio en particular con su podadora de césped inalámbrica. El uso de cualquier otro accesorio o parte puede ser peligroso y causar lesiones personales o daños mecánicos.

Accesorio	Descripción	Modelo
<p>1</p> 	<p>Batería de iones de litio iON+ de 24 V y 2.0 Ah <i>Tiempo máx. de duración de batería: 50 min (poda hasta 80 m² de césped)</i></p>	24VBAT-LTE
<p>2</p> 	<p>Batería de iones de litio iON+ de 24 V y 2.5 Ah <i>Tiempo máx. de duración de batería: 1 hr (poda hasta 100 m² de césped)</i></p>	24VBAT-LT
<p>3</p> 	<p>Batería de iones de litio iON+ de 24 V y 4.0 Ah <i>Tiempo máx. de duración de batería: 1 hr 40 min (poda hasta 160 m² de césped)</i></p>	24VBAT
<p>4</p> 	<p>Batería de iones de litio iON+ de 24 V y 5.0 Ah <i>Tiempo máx. de duración de batería: 2 hr (poda hasta 200 m² de césped)</i></p>	24VBAT-XR
<p>5</p> 	<p>Cargador rápido de batería de iones de litio iON+ de 24 V</p>	24VCHRG-QC
<p>6</p> 	<p>Cargador de doble puerto de baterías de iones de litio iON+ de 24 V</p>	24VCHRG-DPC

Accesorio	Descripción	Modelo
<p>7</p> 	<p>Cuchillas de repuesto (x20)</p>	<p>GT10-GBLD-20PK</p>
<p>8</p> 	<p>Soporte universal de pared Snow Joe® + Sun Joe®</p>	<p>SJWB (Compatible con la mayoría de herramientas Snow Joe® + Sun Joe®)</p>

NOTA: los accesorios están sujetos a cambios sin obligación alguna por parte de Snow Joe® + Sun Joe® de notificar sobre dichos cambios. Los accesorios pueden ser pedidos en línea en sunjoe.com o vía telefónica llamando a la central de servicio al cliente Snow Joe® + Sun Joe® al 1-866-SNOWJOE (1-866-766-9563).



LA PROMESA DE SNOW JOE® + SUN JOE® AL CLIENTE

POR SOBRE TODO, en Snow Joe, LLC (“Snow Joe”) estamos dedicados a usted, nuestro cliente. Nos esforzamos por hacer que su experiencia sea lo más placentera posible. Desafortunadamente, hay veces en que un producto Snow Joe®, Sun Joe®, o Aqua Joe® (el “Producto”) no funciona o sufre un desperfecto bajo condiciones normales de operación. Creemos que es importante que usted sepa que puede confiar en nosotros. Es por eso que tenemos esta Garantía Limitada (la “Garantía”) para nuestros Productos.

NUESTRA GARANTÍA:

Snow Joe garantiza que sus Productos motorizados y no motorizados, nuevos y genuinos, están libres de defectos materiales o de mano de obra al ser usados en tareas domésticas normales durante un periodo de dos (2) años a partir de la fecha de compra por parte del comprador original y usuario final, cuando este último los compra a través de Snow Joe o un vendedor autorizado por Snow Joe y ha obtenido un comprobante de compra. Ya que Snow Joe no puede controlar la calidad de sus Productos vendidos por vendedores no autorizados, a menos que la ley lo prohíba esta Garantía no cubre Productos adquiridos a través de vendedores no autorizados. Si su Producto no funciona, o hay un problema con una parte específica que está cubierta por los términos de esta Garantía, Snow Joe elegirá entre: (1) enviarle una parte de repuesto gratuita; (2) reemplazar el Producto con uno nuevo o similar sin costo alguno; o (3) reparar el Producto. ¡Un excelente soporte!

Esta Garantía le da derechos legales específicos, y usted puede también tener otros derechos según el Estado.

REGISTRO DEL PRODUCTO:

Snow Joe le recomienda enfáticamente registrar su Producto. Usted puede registrar su Producto en línea visitando snowjoe.com/register, imprimiendo y enviando por correo una tarjeta de registro disponible en línea en nuestro sitio Web, llamando a nuestra central de servicio al cliente al **1-866-SNOWJOE (1-866-766-9563)**, o enviándonos un e-mail a help@snowjoe.com. Si usted no registra su Producto sus derechos de garantía no disminuirán; sin embargo, registrar su Producto permitirá que Snow Joe le pueda atender mejor si usted tiene alguna necesidad como cliente.

¿QUIÉN PUEDE SOLICITAR COBERTURA DE GARANTÍA LIMITADA?

Esta Garantía es otorgada por Snow Joe al comprador original y propietario original del Producto.

¿QUÉ NO ESTÁ CUBIERTO?

Esta Garantía no se aplica si el Producto ha sido usado de forma comercial o en aplicaciones no domésticas o de alquiler. Esta Garantía tampoco se aplica si el Producto fue adquirido desde un vendedor no autorizado. Esta garantía tampoco cubre cambios cosméticos que no afecten el funcionamiento del Producto. Las partes desgastables como correas, brocas y cuchillas no están cubiertas por esta Garantía, y pueden ser compradas visitando snowjoe.com o llamando al **1-866-SNOWJOE (1-866-766-9563)**.

IMPORTANT!

Consignes de sécurité

Tous les utilisateurs doivent lire ces instructions avant d'utiliser l'outil


MISE EN GARDE!

Avant d'utiliser cet outil sans cordon, lire attentivement et respecter les consignes et règles de sécurité ci-dessous. Avant de commencer tout travail, s'assurer de savoir arrêter l'outil en cas d'urgence. La mauvaise utilisation de cet outil peut être à l'origine de graves blessures. Conserver ces instructions dans un endroit sûr et à portée de main pour pouvoir les consulter le cas échéant.

MISE EN GARDE!

Le coupe-gazon sans cordon devrait être utilisé uniquement pour la coupe des gazons. Toutes autres utilisations que celles décrites dans ce manuel pourraient endommager le coupe-gazon et blesser gravement l'utilisateur.

Règles de sécurité GÉNÉRALES

 **AVERTISSEMENT!** Lire en totalité les avertissements de sécurité et les consignes. Le non-respect des avertissements et des consignes de sécurité pourrait être à l'origine d'une secousse électrique, d'un incendie et/ou de graves blessures.

1. Prévenez les démarrages accidentels. Avant d'insérer le bloc-piles, de saisir l'appareil ou de le transporter, assurez-vous que l'interrupteur est à la position d'arrêt. Le transport de l'outil en maintenant le doigt sur l'interrupteur ou sa mise en marche alors que l'interrupteur est ouvert augmente le risque d'accident.
2. Débranchez le bloc-piles de l'outil avant de procéder à un réglage, de changer d'accessoire ou de le ranger. Ces mesures préventives de sécurité visent à réduire le risque de démarrage accidentel de l'outil.
3. Rechargez uniquement à l'aide du chargeur spécifié par le fabricant. Un chargeur qui est adapté pour un type de blocs-piles peut présenter un risque d'incendie lorsqu'il est utilisé avec un autre type de blocs-piles.
4. Utilisez le chargeur uniquement avec le type de blocs-piles spécifiquement indiqué. L'utilisation d'un autre type

de blocs-piles peut présenter un risque de blessure et d'incendie.

5. Lorsque vous n'utilisez pas le bloc-piles, rangez-le à l'écart d'autres objets métalliques, par exemple les trombones, pièces de monnaie, clés, clous, vis ou autres petits objets métalliques qui peuvent établir un contact entre les deux bornes. Le court-circuit des bornes d'une batterie peut être à l'origine de brûlures ou d'un incendie.
6. Si le bloc-piles n'est pas adapté, du liquide peut s'en échapper; évitez tout contact. En cas de contact accidentel, rincez abondamment à l'eau. En cas de contact du liquide avec les yeux, consultez un médecin. Le liquide qui s'échappe de la batterie peut causer une irritation ou des brûlures.
7. N'utilisez pas un bloc-piles ou un chargeur endommagé ou modifié. Les batteries endommagées ou modifiées peuvent se comporter de manière imprévisible et provoquer un incendie ou une explosion ou présenter un risque de blessure.
8. N'exposez ni bloc-piles ni chargeur à un feu ou une température excessive. Une exposition à un feu ou une température supérieure à 130 °C peut déclencher une explosion.
9. Suivez toutes les instructions de charge du bloc-piles ou de l'outil en veillant à ne jamais procéder à cette opération à une température en dehors de la plage spécifiée dans ces instructions. Charger une batterie de façon inappropriée ou à une température en dehors de la plage spécifiée peut l'endommager et augmenter le risque d'incendie.
10. Confiez vos réparations à un réparateur qualifié utilisant uniquement des pièces de rechange identiques. C'est à ce prix que la sécurité du produit sera préservée.
11. Ne modifiez pas l'outil ou le bloc-piles (le cas échéant) ou n'essayez pas de les réparer, sauf précisions contraires concernant leur utilisation ou leur entretien.
12. **Pièces de rechange** – Pour les réparations, utilisez uniquement des pièces de rechange identiques.
13. **Éviter les endroits dangereux** – N'utilisez pas cet outil dans les endroits humides. Ne l'utilisez pas non plus sous la pluie.
14. **Maintenir les enfants et les spectateurs à bonne distance** – Les enfants et les autres spectateurs, y compris les animaux familiers, doivent être tenus éloignés d'au moins 15 mètres de la zone de travail. Quand vous coupez l'herbe, des pierres et des débris dissimulés dans l'herbe peuvent être ramassés par la lame et être ensuite

projetés en l'air. Ces projectiles volants peuvent entraîner la cécité ou blesser d'autres parties du corps.

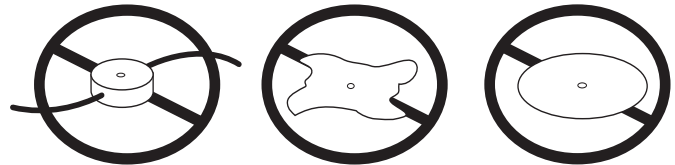
15. **S'habiller en conséquence** – Pour éviter de vous blesser la tête, les mains ou les pieds, portez toujours des vêtements appropriés lorsque vous utilisez le coupe-gazon. Ne portez ni vêtements amples ni bijoux. Ils peuvent être happés par les pièces mobiles. Il est recommandé de porter des gants en caoutchouc et des chaussures suffisamment montantes pour tout travail à l'extérieur. Les cheveux longs doivent être ramassés sous un couvre-chef.
16. **Porter des lunettes de sécurité** – Portez également des chaussures de protection, des vêtements serrés près du corps, des gants de protection, des protecteurs d'oreille et une protection de la tête. Si l'utilisation de l'outil produit beaucoup de poussière, portez toujours un écran facial ou un masque antipoussières.
17. **Utiliser les bons outils** – N'utilisez pas d'outils pour des travaux différents de ceux auxquels ils sont destinés.
18. **Prévenir les démarrages accidentels** – N'insérez pas le bloc-piles dans l'outil en ayant le doigt sur l'interrupteur. Lors de l'insertion du bloc-piles, assurez-vous que l'interrupteur est à la position d'arrêt.
19. **Désactiver l'alimentation électrique** – Retirez le bloc-piles de l'outil lorsque vous ne l'utilisez pas, avant d'intervenir dessus ou quand vous changez d'accessoire.
20. **Ne pas forcer l'outil** – Il exécutera le travail efficacement et dans de meilleures conditions de sécurité s'il est utilisé au régime pour lequel il a été conçu.
21. **Ne pas s'arc-bouter** – Restez en permanence sur les deux pieds pour ne pas perdre l'équilibre.
22. **Rester vigilant** – Surveillez ce que vous faites. Faites preuve de bon sens. N'utilisez pas le coupe-gazon si vous êtes fatigué ou si vous avez consommé de l'alcool ou de la drogue.
23. **Ranger les outils à l'intérieur lorsqu'ils ne sont pas utilisés** – Si vous n'utilisez pas vos outils, rangez-les à l'intérieur dans un endroit sec et surélevé ou sous clé, hors de portée des enfants.
24. **Entretenir l'outil avec soin** – Suivez les consignes de lubrification et de changement d'accessoire. Inspectez périodiquement le coupe-gazon et remplacez-le s'il est endommagé. Faites réparer le coupe-gazon uniquement chez un réparateur agréé. Maintenez les poignées sèches, propres et exemptes d'huile et de graisse.
25. **Vérifier qu'il n'y a pas de pièces endommagées** – Avant de continuer à utiliser le coupe-gazon, le carter de protection ou toute autre pièce endommagées doivent être soigneusement vérifiés pour vous assurer qu'ils fonctionnent correctement pour l'utilisation à laquelle ils sont destinés. Vérifiez l'alignement des pièces mobiles, qu'aucune pièce ne grippe ou n'est cassée, les fixations et tout autre problème susceptible d'entraver

le bon fonctionnement du coupe-gazon. Sauf indication contraire figurant ailleurs dans ce manuel, tout dispositif de protection ou toute autre pièce endommagées doivent être réparés ou remplacés par un centre d'entretien et de réparation agréé.

CONSIGNES DE SÉCURITÉ SUPPLÉMENTAIRES POUR COUPE-GAZON

1. Maintenez les dispositifs de sécurité en place et en bon ordre de marche.
2. Garder les mains et les pieds éloignés de la zone de coupe.

⚠ AVERTISSEMENT! Ne jamais utiliser de lames d'acier ou d'autres éléments de coupe. L'utilisation de tout autre accessoire augmentera le risque de blessure.



⚠ MISE EN GARDE! Le carter de protection est essentiel pour la sécurité de l'utilisateur et celle des personnes ne se tenant pas à bonne distance du coupe-gazon. Le carter de protection maintient le coupe-gazon en bon état de fonctionnement et doit toujours être en place pendant l'utilisation de l'outil.

- N'essayez pas d'arrêter la lame du coupe-gazon en utilisant les mains. Laissez-la toujours s'arrêter d'elle-même.

⚠ AVERTISSEMENT! La lame de coupe continue à tourner pendant quelques secondes après l'arrêt de l'outil.

- Utilisez uniquement un type de lame coupe-gazon en nylon d'origine. N'utilisez sous aucune circonstance un fil de métal ou un fil de nylon à la place de la lame.
- N'utilisez pas l'outil pour couper de l'herbe qui n'est pas sur le sol. Par exemple, ne coupez pas de l'herbe qui pousse sur les murs ou les rochers.
- Ne mettez pas en marche l'outil dans un espace confiné ou mal ventilé ou en présence de substances inflammables et/ou explosives, par exemple des liquides, des gaz ou des poudres.
- Utilisez l'outil uniquement quand il fait plein jour, sinon prévoyez un éclairage artificiel.
- Vérifiez que toute l'herbe coupée et la saleté ont été retirées des orifices de ventilation.
- Ne traversez pas une route ou un chemin de gravier si l'outil est encore en marche.

- Si vous n'utilisez pas l'outil, rangez-le dans un endroit sec et hors de portée des enfants.
- Après chaque utilisation, retirez la batterie et vérifiez que l'outil n'est pas endommagé. Si vous avez le moindre doute sur l'état de l'outil, communiquez avec un centre de réparation agréé ou appelez le service clientèle Snow Joe® + Sun Joe® au 1-866-SNOWJOE (1-866-766-9563).
- Utilisez uniquement l'outil en vous conformant aux instructions fournies dans ce manuel.
- Vérifiez régulièrement que les vis sont serrées.
- N'essayez pas de réparer l'outil ou d'accéder aux pièces internes. Communiquez avec un centre de réparation agréé ou appelez le service clientèle Snow Joe® + Sun Joe® au 1-866-SNOWJOE (1-866-766-9563).

Consignes de sécurité concernant la batterie et le chargeur

Nous avons consacré beaucoup de temps à la conception de chaque bloc-piles afin de nous assurer de vous fournir des batteries qui peuvent être utilisées sans danger, sont robustes et ont une énergie volumique élevée. Les cellules des batteries sont dotées d'un large éventail de dispositifs de sécurité. Chaque cellule individuelle est initialement formatée et ses courbes électriques caractéristiques sont enregistrées. Ces données sont ensuite utilisées exclusivement pour pouvoir assembler les meilleurs blocs-piles possible.

Malgré toutes ces mesures de précaution, il faut toujours faire preuve de prudence lors de la manipulation de batteries. Pour utiliser sans danger la batterie, les points suivants doivent être observés en permanence. L'utilisation sans danger peut uniquement être garantie si les cellules sont intactes. Toute manipulation inappropriée d'un bloc-piles peut endommager les cellules.

IMPORTANT! Les analyses confirment que la mauvaise utilisation de batteries à haut rendement et un entretien laissant à désirer sont les principaux facteurs responsables de dommages corporels et/ou matériels.

⚠️ AVERTISSEMENT! Utiliser uniquement des batteries de rechange homologuées. Les autres types de batteries peuvent endommager le coupe-gazon sans cordon et empêcher son bon fonctionnement, ce qui peut entraîner de graves blessures.

⚠️ AVERTISSEMENT! Ne pas utiliser un bloc-piles ou un chargeur endommagé ou modifié. Les batteries endommagées ou modifiées peuvent se comporter de manière imprévisible et provoquer un incendie ou une explosion ou présenter un risque de blessure.

Ne modifiez pas le bloc-piles ou n'essayez pas de le réparer, sauf précisions contraires concernant son utilisation ou son entretien.

Faites réparer ou entretenir votre bloc-piles par un réparateur qualifié utilisant uniquement des pièces de rechange identiques. C'est à ce prix que la sécurité du bloc-piles sera préservée.

⚠️ MISE EN GARDE! Pour réduire le risque de blessure, charger uniquement le bloc-piles au lithium-ion iON+ 24V Snow Joe® dans le chargeur au lithium-ion iON+ 24V Sun Joe® prévu à cet effet. Les autres types de chargeurs présentent des risques d'incendie et de dommages corporels et matériels. Ne brancher aucun bloc-piles sur le secteur ou l'allume-cigare d'une voiture. Le bloc-piles serait définitivement et irrémédiablement endommagé.

- **Évitez les environnements dangereux :** ne chargez pas le bloc-piles sous la pluie, sous la neige ou dans les endroits humides. N'utilisez pas le bloc-piles ou le chargeur lorsque l'atmosphère est explosive (effluents gazeux, poussière ou matières inflammables), des étincelles pouvant se produire lors de l'insertion ou du retrait du bloc-piles, ce qui pourrait provoquer un incendie.
- **Chargez dans un endroit bien ventilé :** ne bloquez pas les orifices de ventilation du chargeur. Dégagez le voisinage immédiat du chargeur pour qu'il soit bien ventilé. Interdisez de fumer et n'autorisez la présence d'aucune flamme nue à proximité d'un bloc-piles se chargeant. Le gaz dispersé dans l'atmosphère peut exploser.

REMARQUE : la plage de sécurité de températures pour la batterie est comprise entre 5 °C et 40,5 °C. Ne chargez pas la batterie à l'extérieur lorsqu'il gèle; chargez-la à température ambiante.

- **Prenez soin du cordon du chargeur :** lorsque vous débranchez le chargeur, pour éviter d'endommager la fiche électrique et le cordon, tirez sur la fiche dans la prise et non sur le cordon. Ne tirez jamais le chargeur par le cordon et ne tirez pas brusquement sur le cordon pour le retirer de la prise. Maintenez le cordon éloigné de la chaleur, de l'huile et des arêtes tranchantes. Pendant l'utilisation du chargeur, assurez-vous que personne ne marche sur le cordon, ne trébuche dessus et qu'il ne peut être ni endommagé ni soumis à des tensions ou des pressions. N'utilisez pas le chargeur si sa fiche ou son cordon est endommagé. Remplacez immédiatement tout chargeur endommagé.
- **N'utilisez pas de rallonge électrique, à moins que cela soit absolument nécessaire :** l'utilisation d'une rallonge électrique mal adaptée, endommagée ou mal branchée présente des risques d'incendie et de secousse électrique. S'il s'avère nécessaire d'utiliser une rallonge électrique, branchez le chargeur dans une rallonge électrique de calibre 16 ou plus gros, la fiche femelle correspondant à la fiche mâle sur le chargeur. Vérifiez que la rallonge électrique est en bon état.

- **Le chargeur 24VCHRG-AC est prévu uniquement pour 100 – 240 VCA** : il doit être branché dans une prise appropriée.
- **Utilisez uniquement des accessoires recommandés** : l'utilisation d'un accessoire non recommandé ou vendu par le fabricant du bloc-piles ou du chargeur peut provoquer un incendie, une secousse électrique ou des blessures.
- **Débranchez tout chargeur non utilisé** : assurez-vous de retirer le bloc-piles d'un chargeur débranché.

⚠ AVERTISSEMENT! Pour réduire le risque de secousse électrique, toujours débrancher le chargeur avant d'effectuer un nettoyage ou un entretien. Ne pas laisser d'eau couler dans le chargeur. Pour réduire le risque de secousse électrique, utiliser un disjoncteur différentiel de fuite de terre (DDFT).

- **Ne brûlez pas ou n'incinerez pas les blocs-piles** : ils peuvent exploser et provoquer des dommages corporels ou matériels. Des émanations et des particules toxiques se dégagent d'un bloc-piles qui brûle.
- **N'écrasez pas, ne faites pas tomber ou n'endommagez pas le bloc-piles** : n'utilisez pas le bloc-piles ou le chargeur s'il a reçu un coup brutal, s'il est tombé, s'il a été écrasé ou endommagé d'une façon ou d'une autre (c.-à-d., percé par un clou, frappé d'un coup de marteau, foulé au pied, etc.).
- **Ne démontez rien** : un remontage mal effectué peut présenter un risque important de secousse électrique, d'incendie ou d'exposition aux produits chimiques de la batterie. Si la batterie ou le chargeur sont endommagés, veuillez communiquer avec un revendeur Snow Joe® + Sun Joe® agréé ou appeler le service clientèle Snow Joe® + Sun Joe® au 1-866-SNOWJOE (1-866-766-9563) pour de l'aide.
- **Les produits chimiques des batteries peuvent occasionner de graves brûlures** : ne laissez jamais un bloc-piles endommagé entrer en contact avec la peau, les yeux ou la bouche. Si un bloc-piles endommagé laisse fuir des produits chimiques, utilisez des gants en caoutchouc ou en néoprène pour l'éliminer sans danger. Si la peau est entrée en contact avec les fluides d'une batterie, lavez la zone affectée à l'eau et au savon et rincez au vinaigre. Si les yeux sont entrés en contact avec des produits chimiques de batterie, rincez immédiatement à grande eau pendant 20 minutes et consultez un médecin. Retirez les vêtements contaminés et jetez-les.
- **Ne provoquez pas de court-circuit** : un court-circuit se produira si un objet en métal relie les contacts positif et négatif du bloc-piles. Ne placez aucun bloc-piles près de tout ce qui peut provoquer un court-circuit, par exemple un trombone, une pièce de monnaie, une clé, une vis, un clou ou tout autre objet métallique. Un bloc-piles en court-circuit présente un risque d'incendie et peut blesser gravement.
- **Remisez le bloc-piles et son chargeur dans un endroit frais et sec** : ne rangez pas le bloc-piles ou le chargeur lorsque la température peut être supérieure à 40,5 °C, par exemple directement sous les rayons du soleil, à l'intérieur d'un véhicule ou dans un cabanon à structure métallique pendant l'été.

Renseignements sur la batterie

1. Le bloc-piles fourni avec votre coupe-gazon sans cordon n'est que partiellement chargé. Le bloc-piles doit être complètement chargé avant d'utiliser l'outil pour la première fois.
 2. Pour un rendement optimal du bloc-piles, évitez d'attendre qu'il soit presque déchargé et chargez-le fréquemment.
 3. Rangez le bloc-piles dans un endroit frais, idéalement à 25 °C et chargez au moins à 40 %.
 4. Les batteries au lithium-ion s'usent naturellement avec le temps. Le bloc-piles doit être remplacé au plus tard lorsque sa capacité chute à 80 % de sa capacité d'origine, neuf. Les cellules affaiblies dans un bloc-piles usé ne peuvent plus produire la forte intensité exigée pour que votre coupe-gazon fonctionne normalement, ce qui présente un risque pour la sécurité.
 5. Ne jetez pas le bloc-piles dans un feu nu, ce qui pourrait le faire exploser.
 6. Ne mettez pas le feu au bloc-piles et ne l'exposez pas à une flamme.
 7. Ne déchargez jamais complètement le bloc-piles. Les cellules d'une batterie complètement déchargée seront endommagées. Le rangement prolongé et la non-utilisation d'une batterie partiellement déchargée sont les causes les plus communes d'une décharge complète. Arrêtez votre travail dès que vous remarquez que la puissance de la batterie chute ou dès que le système de protection électronique se déclenche. Rangez le bloc-piles uniquement s'il est à charge complète.
 8. Protégez la batterie et l'outil contre les surcharges. Les surcharges donneront rapidement lieu à une surchauffe et endommageront les cellules à l'intérieur du boîtier de batterie, même si cette surchauffe n'est pas visible de l'extérieur.
 9. Évitez d'endommager la batterie et de la soumettre à des chocs. Remplacez immédiatement toute batterie qui est tombée d'une hauteur supérieure à un mètre ou qui a été soumise à des chocs violents, même si le boîtier du bloc-piles ne semble pas endommagé. Les cellules à l'intérieur de la batterie peuvent avoir été gravement endommagées. Dans ce cas, veuillez lire les renseignements sur l'élimination des déchets en ce qui concerne les batteries.
 10. Si le bloc-piles souffre d'une surcharge ou d'une surchauffe, le coupe-circuit de protection intégré coupe le moteur de l'outil pour des raisons de sécurité.
- IMPORTANT!** Ne pressez plus la gâchette marche-arrêt si le coupe-circuit de protection a été activé. Ceci pourrait endommager le bloc-piles.
11. Utilisez uniquement des blocs-piles d'origine. L'utilisation d'autres blocs-piles présente un risque d'incendie et pourrait provoquer des blessures ou une explosion.

Renseignements sur le chargeur et le processus de charge












1. Veuillez vérifier les données marquées sur la plaque signalétique du chargeur de batterie. Assurez-vous de brancher le chargeur de batterie sur une source d'alimentation correspondant à la tension indiquée sur la plaque signalétique. Ne le branchez jamais sur une tension de secteur différente.
2. Protégez le chargeur de batterie et son cordon pour éviter de les endommager. Maintenez le chargeur et son cordon éloignés de la chaleur, de l'huile et des objets tranchants. Faites réparer sans délai les cordons endommagés par un technicien qualifié chez un revendeur Snow Joe® + Sun Joe® agréé ou appelez le service clientèle Snow Joe® + Sun Joe® au 1-866-SNOWJOE (1-866-766-9563).
3. Les fiches électriques doivent correspondre à la prise. N'apportez aucune modification, quelle qu'elle soit, à la fiche. N'utilisez pas de fiche d'adaptation avec un chargeur mis à la terre. Des fiches non modifiées et des prises correspondantes réduiront le risque de secousse électrique.
4. Maintenez hors de portée des enfants le chargeur de batterie, le bloc-piles et l'outil sans cordon.
5. N'utilisez pas le chargeur de batterie qui est fourni pour charger d'autres outils ou machines sans cordon.
6. Le bloc-piles devient chaud après une utilisation prolongée. Laissez le bloc-piles se refroidir à la température ambiante avant de le brancher dans le chargeur pour le charger.
7. Ne chargez pas les batteries de façon excessive. Ne dépassez pas le temps maximal de charge. Ce temps de charge ne s'applique qu'aux batteries déchargées. Recharger fréquemment un bloc-piles chargé ou partiellement chargé provoquera une surcharge et endommagera les cellules. Ne laissez pas la batterie branchée dans le chargeur pendant plusieurs jours consécutifs.
8. N'utilisez ou ne chargez jamais la batterie si vous soupçonnez qu'il y a plus de 12 mois qu'elle a été chargée pour la dernière fois. Il y a une forte probabilité pour que la batterie soit déjà dangereusement endommagée (décharge complète).
9. Si vous chargez les batteries à une température inférieure à 5 °C, vous endommagez les produits chimiques des cellules, ce qui peut provoquer un incendie.
10. N'utilisez pas une batterie qui a été exposée à la chaleur pendant sa charge, car les cellules de batterie peuvent avoir été dangereusement endommagées.
11. N'utilisez pas les batteries qui se sont bombées ou ont subi des déformations pendant le processus de charge, ni celles présentant d'autres symptômes atypiques (échappement de gaz, sifflement, fissures, etc.).
12. Ne déchargez jamais complètement le bloc-piles (le niveau maximal de décharge recommandé est de 80 %). La décharge complète d'un bloc-piles entraînera le vieillissement prématuré de ses cellules.

Protection contre les influences environnementales

1. Portez des vêtements de travail adaptés. Portez des lunettes de sécurité.
2. Protégez votre outil sans cordon et le chargeur de batterie contre l'humidité et la pluie. L'humidité et la pluie peuvent endommager dangereusement les cellules.
3. N'utilisez pas l'outil sans cordon ou le chargeur de batterie près de vapeurs ou de liquides inflammables.
4. Utilisez le chargeur de batterie et l'outil sans cordon uniquement en milieu sec, à une température ambiante comprise entre 5 °C et 40,5 °C.
5. Ne conservez pas le chargeur de batterie dans les endroits où la température est susceptible d'être supérieure à 40,5 °C. Ne laissez surtout pas le chargeur de batterie dans une voiture qui stationne au soleil.
6. Protégez les batteries contre les surcharges. Les surcharges et l'exposition directe aux rayons du soleil entraînent une surchauffe des cellules et les endommagent. Ne chargez ou n'utilisez jamais une batterie qui a surchauffé : au besoin, remplacez-la immédiatement.
7. Rangez le chargeur et votre outil sans cordon uniquement dans un endroit sec où la température ambiante est comprise entre 5 °C et 40,5 °C. Rangez votre bloc-piles au lithium-ion dans un endroit frais et sec à une température de 25 °C. Protégez le bloc-piles, le chargeur et l'outil sans cordon contre l'humidité et les rayons du soleil directs. Rangez uniquement les batteries lorsqu'elles sont à charge complète (chargées au minimum à 40 %).
8. Veillez à ce que le bloc-piles au lithium-ion ne gèle pas. Les blocs-piles qui ont été stockés à une température inférieure à 0 °C pendant plus de 60 minutes doivent être éliminés.
9. Lorsque vous manipulez les batteries, prenez garde aux décharges électrostatiques, car elles peuvent endommager le système de protection électronique et les cellules de batterie. Évitez de produire des charges électrostatiques et ne touchez jamais les pôles d'une batterie.

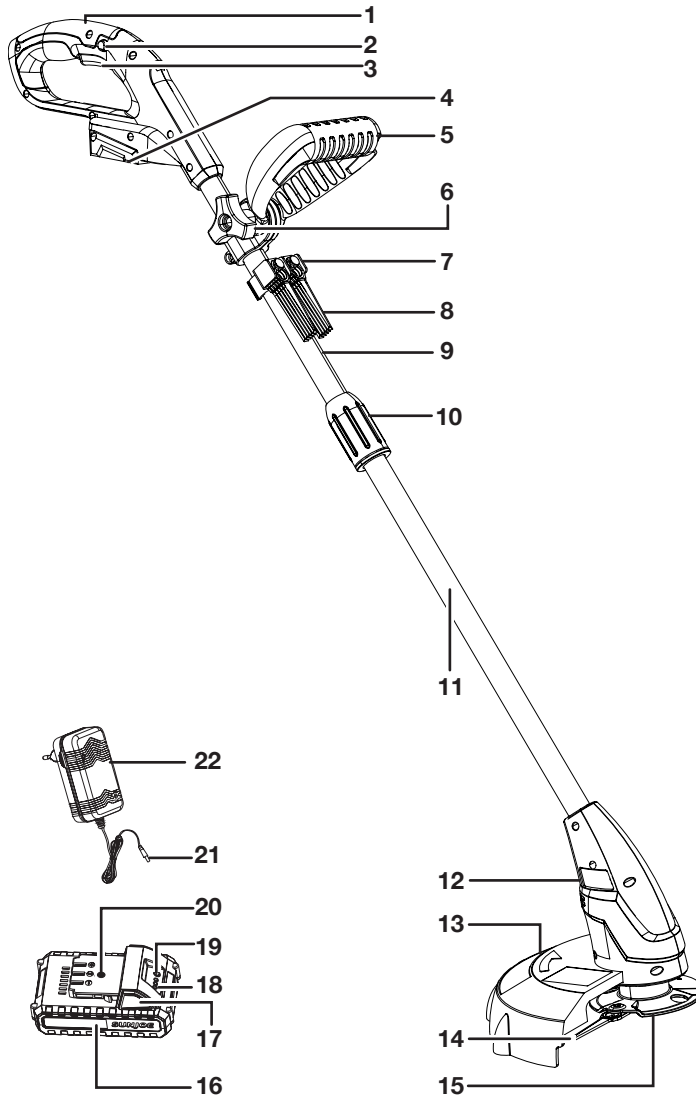
Symboles de sécurité

Le tableau suivant décrit et explique les symboles de sécurité pouvant être marqués sur cet outil. Avant d'essayer de procéder à son assemblage et de l'utiliser, lisez, comprenez et suivez toutes les instructions sur cet outil.

Symboles	Descriptions	Symboles	Descriptions
	LIRE LE OU LES MANUELS D'UTILISATION – Lire, comprendre et suivre toutes les instructions du ou des manuels avant d'essayer d'assembler et d'utiliser l'outil.		Maintenir les spectateurs et les enfants à une distance de sécurité.
	ALERTE DE SÉCURITÉ – Indique une précaution, un avertissement ou un danger.		AVERTISSEMENT! Ne pas exposer l'outil à la pluie ou une forte humidité.
	PORT OBLIGATOIRE DE LUNETTES DE SÉCURITÉ ET DE PROTECTEURS D'OREILLE – Pour éviter de se blesser, porter des protecteurs d'oreille et des lunettes de sécurité.		Prendre garde aux objets et débris volants.
	Afin de protéger les mains, porter des gants de sécurité pendant l'utilisation de l'outil.		Porter des chaussures à semelle antidérapante pour protéger les pieds et avoir une meilleure prise sur les revêtements glissants.
	Utilisation uniquement à l'intérieur. Utiliser uniquement le chargeur de batterie à l'intérieur.		Débrancher le bloc-piles avant tout entretien ou réparation.
	DANGER! Faire attention aux projectiles pouvant atteindre des spectateurs. Maintenir les spectateurs à une distance d'au moins 15 m de l'outil.		

Apprenez à mieux connaître votre coupe-gazon sans cordon

Avant d'utiliser votre coupe-gazon sans cordon, lisez attentivement le manuel d'utilisation et les consignes de sécurité. Pour vous familiariser avec l'emplacement des divers réglages et commandes, comparez l'illustration ci-dessous avec votre coupe-gazon sans cordon. Conservez ce manuel pour pouvoir le consulter dans le futur.



1. Poignée
2. Bouton-poussoir de sécurité
3. Gâchette marche-arrêt
4. Compartiment à batterie
5. Poignée auxiliaire
6. Bouton de poignée auxiliaire
7. Rangement spécial pour lames coupe-gazon
8. Lames coupe-gazon de rechange (10)
9. Manche supérieur
10. Collier de manche
11. Manche inférieur
12. Caisson moteur
13. Carter de protection
14. Lame coupe-gazon (1)
15. Moyeu de lame
16. Batterie au lithium-ion iON+ 24 V (24VBAT-LTE) présentant la technologie exclusive EcoSharp®
17. Bouton-poussoir de sécurité
18. Témoins de charge de batterie
19. Bouton-poussoir pour témoins de charge de batterie
20. Prise pour le chargeur
21. Fiche du chargeur
22. Chargeur au lithium-ion iON+ 24V (24VCHRG-AC)

Données techniques

Moteur	550 W	Sortie du chargeur	25,2 VCC $\overline{\text{---}}$ 1 400 mA
Tension max. de la batterie*	24 VCC	Temps max. de charge	1 h 20 min
Capacité de la batterie	2,0 Ah	Diamètre de coupe max.	25,4 cm
Autonomie max.	50 min (coupe jusqu'à 80 m ² d'herbe)	Rotor	Lame coupe-gazon en nylon PA66 (11 lames incluses au total)
Entrée du chargeur	100 – 240 VCA, 50 – 60 Hz, 50 W	Poids net	1,5 kg

*Tension initiale à vide; grimpe à 24 volts une fois à charge complète; la tension nominale sous charge typique est de 21,6 volts.

Déballage

Contenu de la caisse

- Ensemble manche inférieur de coupe-gazon
- Ensemble manche supérieur de coupe-gazon (avec 10 lames coupe-gazon de rechange et leur rangement spécial assemblé)
- Carter de protection
- Vis du carter de protection
- Batterie au lithium-ion iON+ 24V
- Chargeur de batterie au lithium-ion iON+ 24 V
- Manuels et carte d'enregistrement

1. Retirez soigneusement le coupe-gazon sans cordon de la caisse et inspectez-le pour vérifier que tous les éléments énumérés ci-dessus sont fournis.
2. Inspectez soigneusement le contenu afin de vous assurer qu'aucun élément ne s'est cassé ou n'a été endommagé pendant le transport. Si vous constatez que des pièces manquent ou sont endommagées, NE PAS retourner la caisse au magasin. Veuillez appeler le service clientèle Snow Joe® + Sun Joe® au 1-866-SNOWJOE (1-866-766-9563).

REMARQUE : ne jetez pas la caisse d'expédition et l'emballage tant que vous n'êtes pas prêt à utiliser le coupe-gazon sans cordon. L'emballage est fabriqué dans des matériaux recyclables. Éliminez ces matériaux de façon appropriée et conformément à la réglementation ou conservez l'emballage pour le remisage de longue durée de l'outil.

IMPORTANT! Le matériel et l'emballage ne sont pas des jouets. Ne laissez pas les enfants jouer avec les sacs en plastique, les feuilles métalliques ou les petites pièces. Ces éléments peuvent être avalés et risquent de provoquer une suffocation!

Utilisation du bloc-piles

L'outil est alimenté par une batterie au lithium-ion. Le bloc-piles est entièrement scellé et sans entretien.





⚠ AVERTISSEMENT! Avant sa première utilisation, la batterie nécessite d'être rechargée pendant au moins 1 h 20 min pour être à charge complète. Lorsque la batterie est faible, la recharger pendant 1 h 20 min avant de l'utiliser à nouveau.

Témoins de charge de batterie

Le bloc-piles est équipé d'un bouton-poussoir pour vérifier le niveau de charge. Appuyez simplement sur le bouton-poussoir pour lire le niveau de charge de la batterie à l'aide des témoins de charge :

- Les témoins de charge sont tous les trois allumés : le niveau de charge de batterie est élevé.

- Deux témoins de charge sont allumés : le niveau de charge de batterie diminue. Arrêtez votre travail dès que possible.
- Un témoin de charge est allumé : la batterie est épuisée. Arrêtez IMMÉDIATEMENT votre travail et chargez la batterie. Sinon, la longévité de la batterie s'en trouvera considérablement réduite.

Témoins	Indications
	Bouton de niveau de charge
	La batterie est à 30 % de sa capacité et nécessite d'être chargée
	La batterie est à 60 % de sa capacité et nécessite d'être chargée bientôt
	La batterie est à charge complète

REMARQUE : si le bouton de niveau de charge ne semble pas fonctionner, branchez la batterie dans le chargeur et chargez au besoin.

REMARQUE : immédiatement après avoir utilisé le bloc-piles, le bouton de niveau de charge peut afficher une charge plus faible que si la vérification avait eu lieu quelques minutes plus tard. Les cellules des batteries « récupèrent » une partie de leur charge après une période de repos.

Utilisation du chargeur

⚠ AVERTISSEMENT! Charger uniquement un bloc-piles au lithium-ion iON+ 24V dans un chargeur au lithium-ion iON+ 24V compatible. Tout autre type de batterie peut causer des dommages corporels et matériels.

Pour réduire le risque de secousse électrique, ne laissez pas d'eau couler dans la fiche du chargeur CA/CC.

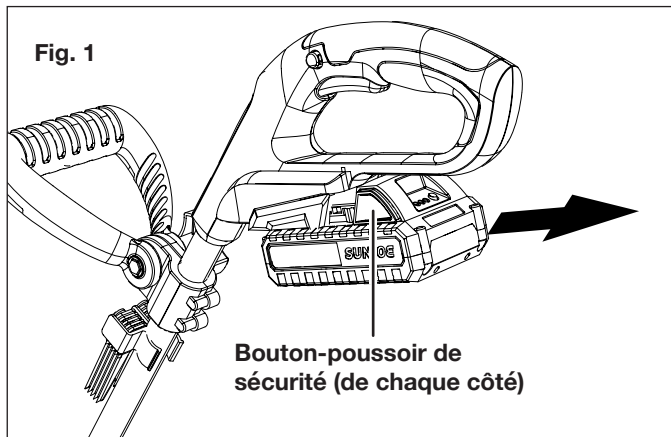
Quand charger la batterie au lithium-ion iON+ 24VBAT-LTE

REMARQUE : les blocs-piles au lithium-ion iON+ 24VBAT-LTE ne présentent pas « d'effet mémoire » lorsqu'ils sont chargés après une simple décharge partielle. C'est pourquoi il n'est pas nécessaire de décharger le bloc-piles avant de le placer dans le chargeur.

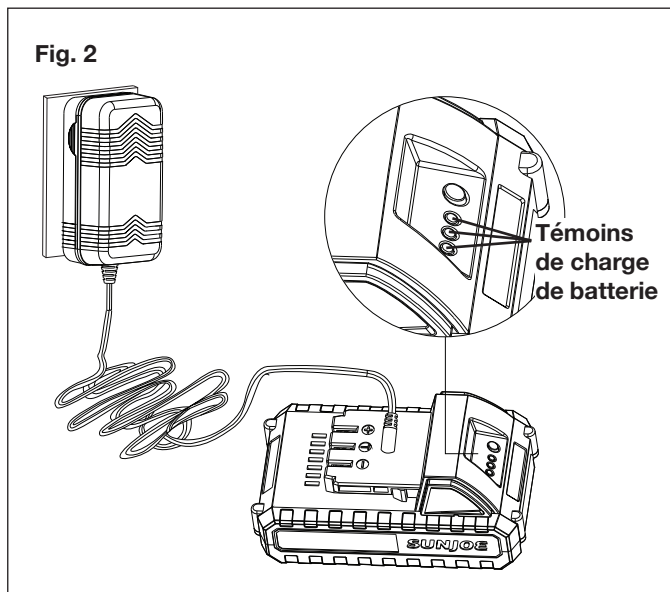
- Utilisez les témoins indicateurs de charge de batterie pour déterminer quand charger votre bloc-piles au lithium-ion iON+ 24VBAT-LTE.
- Vous pouvez « compléter » la charge du bloc-piles avant de démarrer un gros travail ou après une longue journée d'utilisation.

Comment charger la batterie

1. Appuyez sur les boutons-poussoirs de verrouillage sur le bloc-piles pour le sortir de l'outil en le tirant (Fig. 1).



2. Vérifiez que la tension de secteur est la même que celle marquée sur la plaque signalétique du chargeur de batterie. Branchez ensuite l'adaptateur de chargeur dans une prise de secteur appropriée. Pour commencer à charger, branchez la fiche du chargeur dans la prise de charge de la batterie (Fig. 2).



3. Il faut environ 1 h 20 min pour recharger la batterie. Les témoins de charge de batterie scintilleront et s'allumeront un par un pendant le processus de charge. Débranchez immédiatement le chargeur lorsque les témoins de charge sont tous les trois allumés.

⚠ MISE EN GARDE! RISQUE D'INCENDIE. Pour débrancher le chargeur de la batterie, s'assurer de débrancher d'abord le chargeur de la prise, puis débrancher le cordon du chargeur de la batterie.

⚠ AVERTISSEMENT! Ce chargeur ne s'éteint pas automatiquement lorsque la batterie est à charge complète. Veiller à ne pas laisser la batterie branchée dans le chargeur. Éteindre le chargeur ou le débrancher du secteur une fois que la batterie est à charge complète.

4. Recharger la batterie au moment opportun prolongera sa durée de vie. Vous devez recharger le bloc-piles lorsque vous remarquez une chute de puissance de l'outil.

IMPORTANT! Ne laissez jamais le bloc-piles se décharger complètement, car ceci l'endommagerait irrémédiablement.

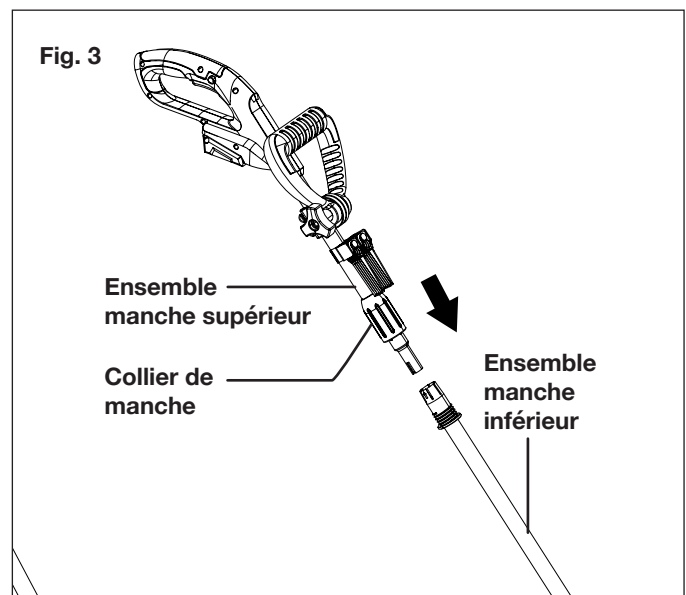
Assemblage

Avant d'utiliser le coupe-gazon sans cordon, suivez ces instructions pour l'assembler.

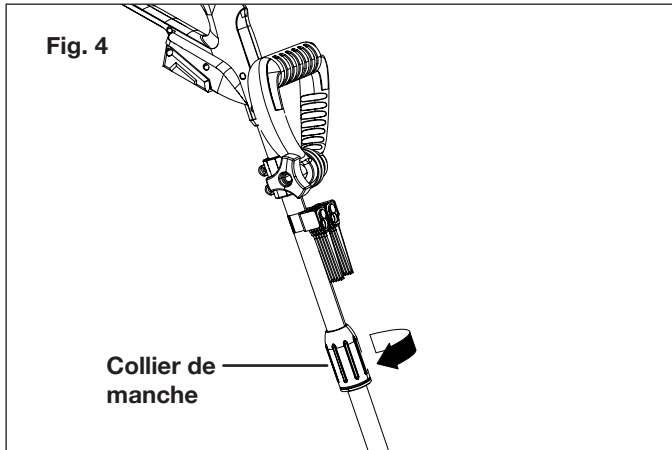
⚠ AVERTISSEMENT! Ne pas insérer la batterie tant que l'assemblage n'est pas terminé. Ne pas tenir compte de cet avertissement peut être à l'origine d'un démarrage accidentel et, potentiellement, de graves blessures.

Raccordement des éléments du manche

1. Raccordez les éléments du manche en insérant l'ensemble manche supérieur dans l'ensemble manche inférieur (Fig. 3).



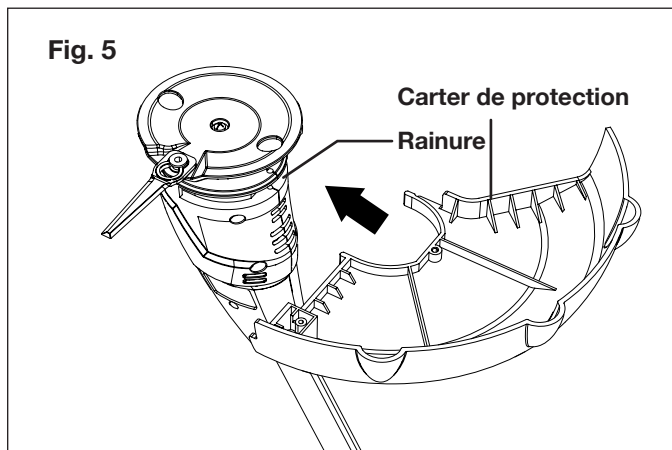
2. Pour attacher les deux éléments du manche, vissez le collier du manche sur le filetage (Fig. 4).



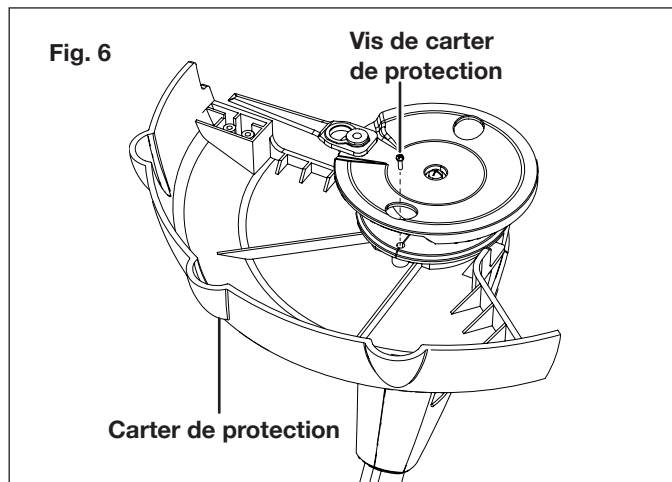
Pose du carter de protection

⚠️ AVERTISSEMENT! Le carter de protection doit être posé de façon appropriée. Il protège partiellement l'utilisateur et les spectateurs de tout ce qui risque d'être projeté dans leur direction.

1. Placez le carter de protection dans la rainure pratiquée dans le caisson moteur, comme l'indique la Fig. 5.



2. Tout en tenant le moyeu de lame, utilisez la vis du carter de protection pour l'attacher, comme l'indique la Fig. 6.



Utilisation

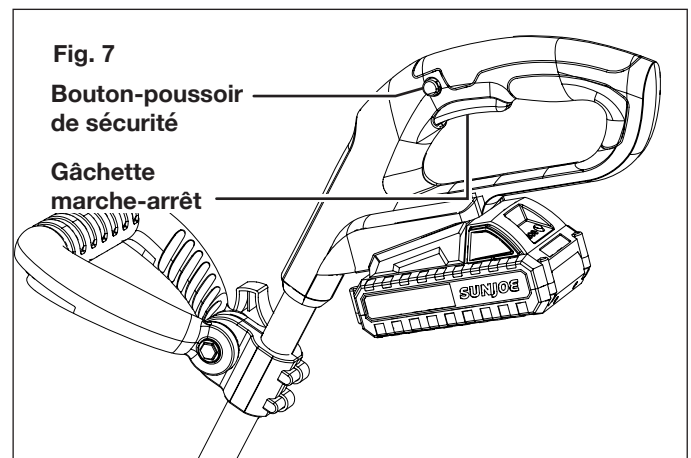
Le coupe-gazon sans cordon est conçu pour couper l'herbe et les mauvaises herbes sous les buissons et dans les endroits en pente que la tondeuse à gazon ne peut pas atteindre. Le coupe-gazon doit être utilisé uniquement à l'extérieur, à une température ambiante comprise entre 5 °C et 45 °C.

⚠️ AVERTISSEMENT! Retirer de la zone de coupe, les pierres, petits bouts de bois et autres débris de ce type. Une fois que le coupe-gazon est éteint, la lame en nylon continue à tourner pendant quelques secondes. Laisser le moteur s'arrêter complètement avant de redémarrer le coupe-gazon. Éviter de mettre en marche et d'arrêter le coupe-gazon à très brefs intervalles.

⚠️ AVERTISSEMENT! Des roches ou des débris peuvent ricocher ou être projetés dans les yeux et le visage, entraîner la cécité ou d'autres blessures graves. Ne jamais se pencher sur la tête du coupe-gazon et toujours porter une protection oculaire.

Gâchette marche-arrêt

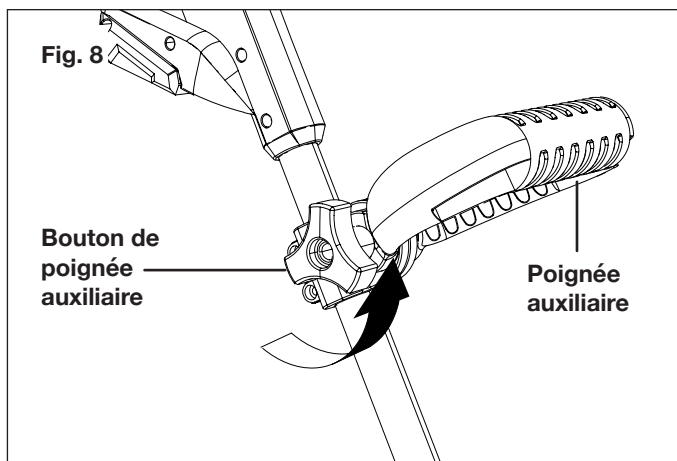
1. Insérez la batterie dans le compartiment à batterie à l'arrière de l'outil. Poussez-la jusqu'à qu'elle se mette en place en s'encliquetant. Appuyez sur le bouton-poussoir de sécurité, puis pressez la gâchette marche-arrêt. Une fois que le moteur de l'outil tourne régulièrement, vous pouvez relâcher le bouton-poussoir de sécurité (Fig. 7).



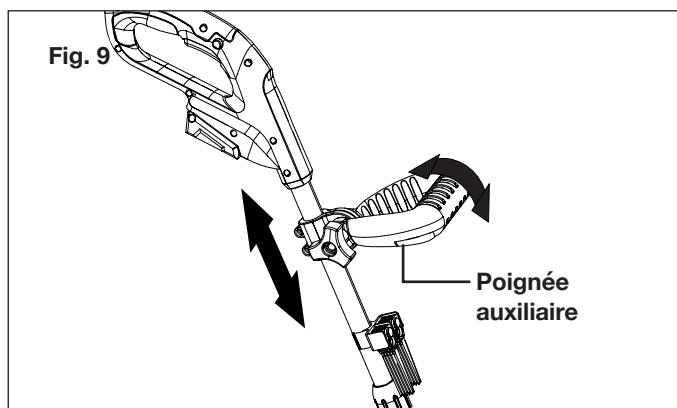
2. Pour arrêter l'outil, relâchez la gâchette marche-arrêt (Fig. 7). Retirez la batterie.

Réglage de la poignée auxiliaire

1. Arrêtez l'outil et retirez la batterie. Patientez jusqu'à ce que la lame s'arrête complètement.
2. Pour desserrer la poignée auxiliaire, tournez le bouton de poignée dans le sens antihoraire (Fig. 8).

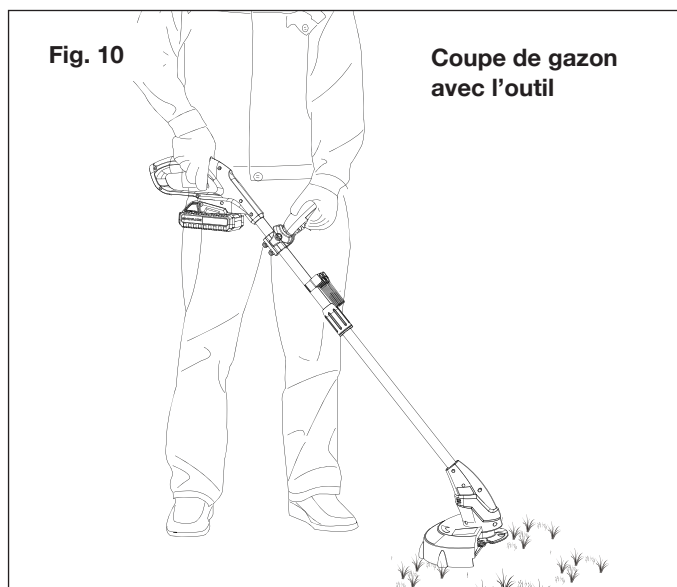


3. Réglez au besoin la position de la poignée auxiliaire en la faisant glisser le long du manche supérieur (Fig. 9).
4. Réglez au besoin l'angle de la poignée auxiliaire en la faisant pivoter comme l'indique la Fig. 9.



5. Verrouillez la poignée auxiliaire en tournant le bouton dans le sens horaire.

Coupe de gazon



⚠️ AVERTISSEMENT! Toujours tenir le coupe-gazon éloigné du corps en maintenant une distance d'au moins 60 cm entre toute partie du corps et la tête porte-lame du coupe-gazon. Tout contact avec la lame du coupe-gazon pendant son utilisation peut entraîner de graves blessures (Fig. 10).

⚠️ AVERTISSEMENT! Pour éviter d'endommager la lame ou le moyeu de lame, maintenir une distance d'au moins 30 cm entre la lame et tout objet à proximité. Ne jamais utiliser le coupe-gazon près d'un trottoir, d'une clôture, d'un poteau, d'un bâtiment ou de tout autre objet impossible à déplacer. Une lame endommagée peut être à l'origine de graves dommages corporels.

- Inspectez la lame avant chaque utilisation et périodiquement pendant de longues périodes d'utilisation. Si la lame est cintrée, voilée, fissurée, entaillée ou endommagée, arrêtez immédiatement de l'utiliser et remplacez-la.
- Inspectez la zone de travail et débarrassez-la de tout ce qui est dissimulé, par exemple du verre, des roches, du béton, du fil de fer de clôture, du fil métallique, du bois, du métal, etc., et pourrait être projeté en l'air par l'outil.
- Pendant que vous coupez, tenez fermement les poignées du coupe-gazon. Maintenez la lame de coupe éloignée du corps et sous le niveau de la ceinture.
- Après avoir relâché la gâchette marche-arrêt, utilisez au besoin des mauvaises herbes plus denses ou des tiges bien fournies pour arrêter plus vite la lame. Continuez à contrôler l'outil jusqu'à ce que la lame se soit complètement arrêtée de tourner.
- N'essayez pas de toucher ou d'arrêter la lame à la main.

Entretien

⚠️ AVERTISSEMENT! Avant d'effectuer un entretien quelconque, arrêter l'outil et retirer la batterie.

⚠️ AVERTISSEMENT! Toujours porter des gants de protection pendant les tâches d'entretien. Ne pas effectuer d'entretien lorsque le moteur tourne ou est chaud.

- Le nettoyage et l'entretien réguliers de votre coupe-gazon assureront le rendement de l'outil et prolongeront sa durée de vie.
- Après chaque utilisation de l'outil, retirez l'herbe et la terre du coupe-gazon, sans oublier le carter de protection.
- Pendant l'utilisation de l'outil, maintenez les fentes d'aération propres et exemptes d'herbe.
- Pour nettoyer le coupe-gazon, utilisez uniquement un chiffon trempé dans de l'eau chaude et une brosse souple.
- Ne pulvérisez pas d'eau sur l'outil et ne le mouillez pas.
- N'utilisez pas de détergents ou de solvants, car ils pourraient détériorer l'outil. Les pièces en plastique peuvent être facilement endommagées par des agents chimiques.

- Pour les réparations qui n'ont pas été expliquées dans ce manuel, communiquez avec un centre d'entretien et de réparation agréé en appelant le 1-866-SNOWJOE (1-866-766-9563).

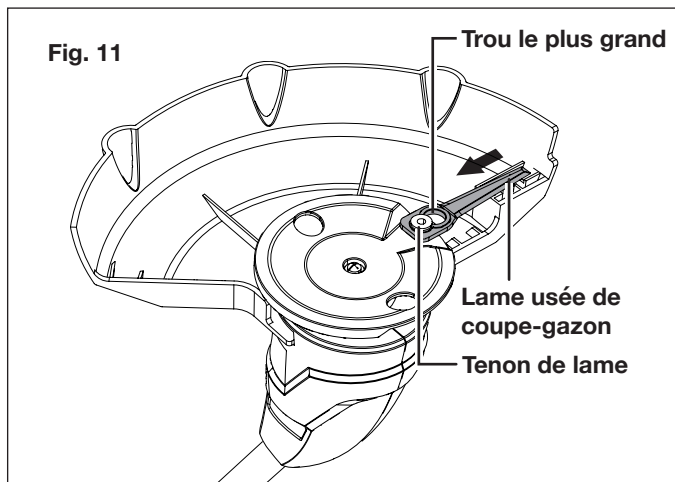
IMPORTANT! Les réparations, l'entretien et les réglages de cet outil électrique doivent être effectués uniquement par un réparateur qualifié en utilisant uniquement des pièces de rechange identiques. C'est à ce prix que la sécurité du produit sera préservée. Communiquez avec un revendeur Snow Joe® + Sun Joe® agréé ou appelez le service clientèle Snow Joe® + Sun Joe® au 1-866-SNOWJOE (1-866-766-9563) pour de l'aide.

Remplacement de la lame du coupe-gazon

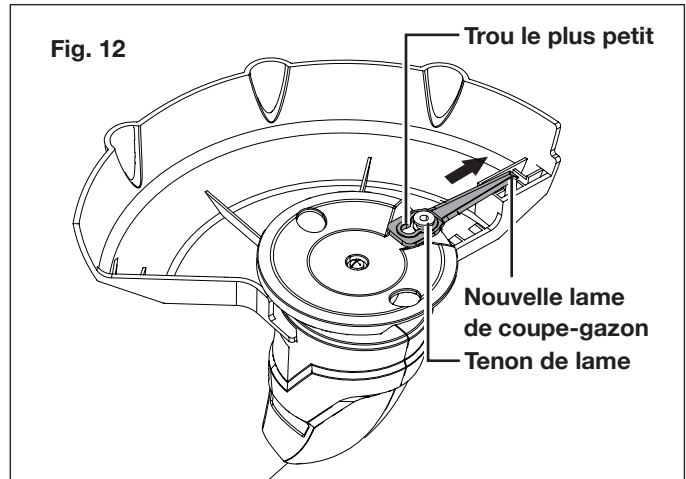
REMARQUE : à la longue, la lame du coupe-gazon peut s'user. Remplacez immédiatement la lame usée par l'une des lames de rechange fournies. Ne remplacez pas la lame par d'autres dispositifs, par exemple une lame en acier, du fil métallique, un fil, de la corde, etc., car ils peuvent se rompre pendant la coupe et devenir de dangereux projectiles pouvant causer de graves blessures.

Des lames de rechanges supplémentaires (modèle GT10-GBLD-20PK) sont également offertes à l'achat sur le site sunjoe.com.

1. Avant de changer la lame du coupe-gazon, arrêtez l'outil et retirez la batterie de son compartiment.
2. Pour retirer la lame usée, déplacez-la d'abord vers l'intérieur, comme l'indique l'illustration, jusqu'à ce que le tenon de lame soit dans le trou le plus grand de la lame. Ensuite, la lame devrait se détacher facilement de l'outil (Fig. 11).



3. Placez le tenon de lame dans le trou le plus grand de la lame et tirez la nouvelle lame vers l'extérieur jusqu'à ce que le tenon se verrouille dans le petit trou de la nouvelle lame (Fig. 12).



Entretien approprié pour la batterie et le chargeur

⚠ AVERTISSEMENT! Pour réduire le risque de se blesser, toujours débrancher le chargeur de la prise secteur et débrancher le bloc-piles du chargeur avant d'effectuer toute tâche d'entretien. Ne jamais démonter le bloc-piles ou le chargeur. Pour toutes les réparations, communiquer avec un revendeur Snow Joe® + Sun Joe® ou le service clientèle Snow Joe® + Sun Joe®.

1. Pour réduire le risque de vous blesser, ne plongez jamais votre bloc-piles ou votre chargeur dans un liquide et ne laissez jamais de liquide pénétrer à l'intérieur de ces composants.
2. Nettoyez la poussière et les débris des ouvertures de ventilation du chargeur et des contacts électriques en soufflant dessus de l'air comprimé.
3. Pour nettoyer le bloc-piles et le chargeur, utilisez uniquement une brosse douce, propre et sèche, en la tenant à l'écart de tous les contacts électriques. Certains agents de nettoyage ou solvants peuvent attaquer les pièces en plastique ou isolées. Parmi ceux-ci figurent l'essence, l'essence de térébenthine, les diluants à peinture-laque, les diluants pour peintures, les solvants de nettoyage chlorés, l'ammoniac et les détergents ménagers contenant de l'ammoniac. N'utilisez jamais de solvants inflammables ou combustibles autour de blocs-piles, de chargeurs de batterie, de machines ou d'outils.
4. Le chargeur de batterie au lithium-ion iON+ 24VCHRG-AC ne comporte aucune pièce réparable par l'utilisateur.

Remisage

Pour remisage le coupe-gazon, suivez ces recommandations.

- Nettoyez soigneusement le coupe-gazon avant de le remisage.
- Remisage le coupe-gazon dans un endroit stable et sans danger, hors de portée des enfants. Rangez-le dans un endroit sec où la température n'est ni trop chaude ni trop froide.
- Lorsque vous remisage le coupe-gazon, ne le faites pas reposer sur le sol. Suspendez-le par la poignée supérieure de manière à ce que le carter de protection ne touche rien. Si le carter de protection repose contre une surface, sa forme et ses dimensions pourraient changer irréversiblement, ce qui pourrait rendre l'outil dangereux à utiliser.

Rangement hors-saison de la batterie et du chargeur

1. N'exposez pas le bloc-piles ou le chargeur à l'eau, à la pluie ou à tout ce qui pourrait les rendre humides. Le chargeur et le bloc-piles pourraient être endommagés de façon permanente. N'utilisez ni huile ni solvants pour nettoyer ou lubrifier les blocs-piles, et ce dans la mesure où le boîtier en plastique pourrait devenir cassant, se fissurer et risquer de blesser quelqu'un.
2. Rangez le bloc-piles et le chargeur à température ambiante et dans un endroit non humide. Ne les rangez pas dans un endroit humide où les bornes pourraient se corroder. Comme pour les autres types de blocs-piles, une perte de capacité permanente peut se produire si les blocs-piles sont rangés pendant de longues périodes à des températures élevées (supérieures à 49 °C).
3. Les blocs-piles au lithium-ion iON+ 24VBAT-LTE restent chargés plus longtemps que les autres types de blocs-piles lorsqu'ils sont rangés. En règle générale, il est préférable de débrancher le chargeur de batterie de la prise secteur et de débrancher le bloc-piles du chargeur lorsque vous ne les utilisez pas. Hors-saison, avant de le ranger et pour maintenir son rendement optimal, rechargez le bloc-piles tous les six mois jusqu'à 50 % de sa capacité (deux témoins allumés).

Mise en garde concernant les batteries et informations sur leur élimination

Éliminez toujours les blocs-piles en vous conformant aux réglementations fédérales, provinciales ou territoriales et locales. Pour obtenir la liste des sites de recyclage, communiquez avec un organisme de recyclage de votre région.

⚠ MISE EN GARDE! Même déchargés, les blocs-piles emmagasinent une certaine énergie. Avant de l'éliminer, utiliser du ruban isolant pour couvrir les bornes et empêcher ainsi le bloc-piles de provoquer un court-circuit, ce qui pourrait causer un incendie ou une explosion.

⚠ AVERTISSEMENT! Pour réduire le risque de blessure ou d'explosion, ne jamais brûler ou incinérer un bloc-piles, même s'il est endommagé, à plat ou complètement déchargé. En brûlant, des émanations et des matières toxiques sont émises dans l'atmosphère environnante.

1. Les batteries varient selon le type de machines ou d'outils. Consultez le manuel pour des renseignements spécifiques.
2. S'il en faut plusieurs, insérez uniquement des batteries neuves de même type dans votre appareil ou outil.
3. Si, en l'insérant, la polarité de la batterie n'est pas respectée, comme indiqué dans le compartiment à batterie ou dans le manuel, sa durée de vie pourrait être réduite ou elle pourrait fuir.
4. Ne mélangez pas des batteries anciennes et des neuves.
5. Ne mélangez pas des batteries alcalines, standard (carbone/zinc) ou rechargeables (au nickel-cadmium, au nickel-métal-hydrure ou au lithium-ion).
6. Ne jetez pas les blocs-piles au feu.
7. Les blocs-piles doivent être recyclés ou éliminés en observant les directives provinciales, territoriales ou locales.

Entretien, réparations et assistance technique

Si votre coupe-gazon sans cordon Sun Joe® 24V-GT10-LTE nécessite une réparation ou un entretien, veuillez appeler le service clientèle Snow Joe® + Sun Joe® au 1-866-SNOWJOE (1-866-766-9563).

Numéros de modèle et de série

Lorsque vous communiquez avec l'entreprise pour commander des pièces ou prendre rendez-vous pour une intervention technique chez un revendeur agréé, vous devez fournir les numéros de modèle et de série qui se trouvent sur l'étiquette autocollante apposée sur le caisson de l'outil. Copiez ces numéros dans l'espace réservé ci-dessous.

Veuillez noter les numéros suivants sur le caisson ou la poignée de votre nouveau produit :

N° de modèle :

2 | 4 | V | - | G | T | 1 | 0 | - | L | T | E | | | | | | | | | | | | | | | | | |

N° de série :

| | | | | | | | | | | | | | | | | | | | | | | | | | | | | | | | | | |

24VCHRG-AC

FCC (Commission fédérale des communications)

⚠️ AVERTISSEMENT! Toute modification ou tout changement apporté à cet appareil et non approuvé par la partie à qui incombe la responsabilité de sa conformité pourrait annuler l'autorisation de l'utiliser.

Appareil de Classe B :

REMARQUE : ce matériel a été testé et il a été constaté qu'il est conforme aux limites des appareils numériques de Classe B, conformément à la Partie 15 des Règles de la FCC.

Ces limites sont conçues pour fournir une protection raisonnable contre le brouillage préjudiciable dans une installation résidentielle.

Ce matériel génère, utilise et peut rayonner une énergie de fréquence radio et, s'il n'est pas installé et utilisé conformément aux instructions, peut être à l'origine d'un brouillage préjudiciable aux communications radio.

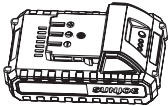
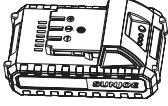
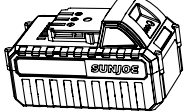
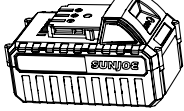

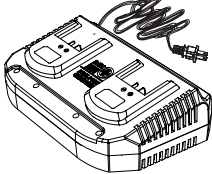
Toutefois, il n'est pas exclu que le brouillage affecte une installation particulière.

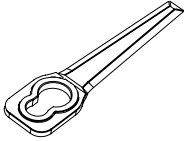
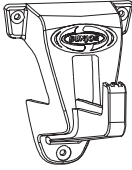
Si cet appareil est à l'origine de brouillage préjudiciable à la réception radio et télévision, ce qui peut être déterminé en éteignant et en allumant l'appareil, l'utilisateur est invité à supprimer le brouillage en prenant une ou plusieurs des mesures suivantes :

- Réorienter ou repositionner l'antenne de réception.
- Augmenter la distance entre l'appareil et le récepteur.
- Brancher l'appareil dans la sortie d'un circuit différent de celui dans lequel le récepteur est branché.
- Pour de l'aide, consulter le revendeur ou un technicien radio/télévision qualifié.

Accessoires en option

⚠️ AVERTISSEMENT! TOUJOURS utiliser des pièces de rechange et des accessoires Snow Joe® + Sun Joe® homologués. NE JAMAIS utiliser des pièces ou des accessoires qui ne sont pas destinés à être utilisés avec ce coupe-gazon sans cordon. Communiquez avec le service clientèle Snow Joe® + Sun Joe® si vous n'êtes pas sûr que l'utilisation d'une pièce de rechange ou d'un accessoire particulier avec votre coupe-gazon sans cordon soit sans danger. L'utilisation de tout autre accessoire ou de toute autre pièce détachée peut être dangereuse et pourrait provoquer des dommages corporels ou des détériorations d'origine mécanique.

Accessoires	Description	Modèle
<p>①</p> 	<p>Batterie au lithium-ion 2,0 Ah iON+ 24V Autonomie max. de la batterie : 50 min (coupe jusqu'à 80 m² d'herbe)</p>	24VBAT-LTE
<p>②</p> 	<p>Batterie au lithium-ion 2,5 Ah iON+ 24V Autonomie max. de la batterie: 1 h (coupe jusqu'à 100 m² d'herbe)</p>	24VBAT-LT
<p>③</p> 	<p>Batterie au lithium-ion 4,0 Ah iON+ 24V Autonomie max. de la batterie: 1 h 40 min (coupe jusqu'à 160 m² d'herbe)</p>	24VBAT
<p>④</p> 	<p>Batterie au lithium-ion 5,0 Ah iON+ 24V Autonomie max. de la batterie: 2 h (coupe jusqu'à 200 m² d'herbe)</p>	24VBAT-XR
<p>⑤</p> 	<p>Chargeur rapide de batterie au lithium-ion iON+ 24V</p>	24VCHRG-QC
<p>⑥</p> 	<p>Double chargeur de batteries au lithium-ion iON+ 24V</p>	24VCHRG-DPC

Accessoires	Description	Modèle
<p>⑦</p> 	<p>Lames de rechange (lot de 20)</p>	<p>GT10-GBLD-20PK</p>
<p>⑧</p> 	<p>Support mural universel Snow Joe® + Sun Joe®</p>	<p>SJWB (compatible avec la plupart des outils et machines Snow Joe® + Sun Joe®)</p>

REMARQUE : les accessoires sont sous réserve de changements sans que Snow Joe® + Sun Joe® soit pour autant tenue de donner un préavis desdits changements. Les accessoires peuvent être commandés en ligne sur le site sunjoe.com ou par téléphone en appelant le service clientèle Snow Joe® + Sun Joe® au 1-866-SNOWJOE (1-866-766-9563).



LA PROMESSE DE SNOW JOE® + SUN JOE® À SES CLIENTS

Vous êtes notre client et Snow Joe, LLC (« Snow Joe ») **SE MET EN QUATRE** pour vous servir. Nous nous efforçons de vous rendre l'utilisation de nos produits aussi plaisante que possible. Malheureusement, il peut arriver qu'un produit Snow Joe®, Sun Joe® ou Aqua Joe (« Produit ») ne fonctionne pas ou se casse dans des conditions d'utilisation normales. Nous pensons qu'il est important que vous sachiez ce que vous pouvez attendre de nous. C'est pourquoi nous avons une garantie limitée (« Garantie ») pour nos Produits.

NOTRE GARANTIE :

Snow Joe déclare et garantit que les Produits neufs, d'origine, électriques ou non électriques sont exempts de vices de matière ou de fabrication et, lorsqu'ils font l'objet d'une utilisation résidentielle et ménagère ordinaire, les garantit pendant une période de deux ans à compter de la date d'achat au détail par l'acheteur primitif auprès de Snow Joe ou d'un des revendeurs agréés de Snow Joe, preuve d'achat à l'appui. Étant donné que Snow Joe ne peut pas contrôler la qualité de ses Produits vendus par des revendeurs non agréés, sauf stipulation contraire de la loi, la présente Garantie ne couvre pas les Produits achetés auprès de vendeurs non agréés. Si votre Produit ne fonctionne pas ou si une pièce spécifique couverte par les modalités de la présente Garantie fait l'objet d'un problème quelconque, Snow Joe choisira (1) de vous envoyer une pièce de rechange gratuite, (2) de remplacer le Produit par un produit neuf ou comparable, gratuitement, ou (3) de réparer le Produit. Génial, n'est-ce pas?

La présente Garantie vous donne des droits judiciaires spécifiques, et vous pouvez également avoir d'autres droits qui peuvent varier d'une province ou d'un territoire à l'autre.

ENREGISTREMENT DU PRODUIT :

Snow Joe vous recommande vivement d'enregistrer votre Produit. Vous pouvez l'enregistrer en ligne sur le site snowjoe.com/register, ou en imprimant et en envoyant par courrier une carte d'enregistrement offerte en ligne sur notre site Web, ou par téléphone en appelant notre Service à la clientèle au **1-866-SNOWJOE (1-866-766-9563)**, ou encore en nous envoyant un courriel à l'adresse help@snowjoe.com. Le fait de ne pas enregistrer l'achat de votre Produit n'a aucune conséquence sur vos droits concernant la garantie. Toutefois, l'enregistrement de votre Produit permettra à Snow Joe de mieux répondre au moindre besoin que vous pourriez avoir en matière de service à la clientèle.

QUI PEUT REVENDIQUER LA COUVERTURE DE LA GARANTIE?

La présente Garantie est étendue par Snow Joe à l'acheteur et propriétaire primitif du Produit.

QU'EST-CE QUI N'EST PAS COUVERT?

La présente Garantie ne s'applique pas si le Produit a été utilisé commercialement, pour des travaux non résidentiels ou s'il fait l'objet d'une location. La présente Garantie ne s'applique pas non plus si le Produit a été acheté auprès d'un revendeur non agréé. La présente garantie ne couvre pas non plus les changements cosmétiques qui n'affectent pas le rendement. Les pièces d'usure comme les courroies, les tarières, les chaînes et les dents ne sont pas couvertes au titre de la présente Garantie et peuvent être achetées en ligne sur le site snowjoe.com ou en appelant le **1-866-SNOWJOE (1-866-766-9563)**.





sunjoe.com